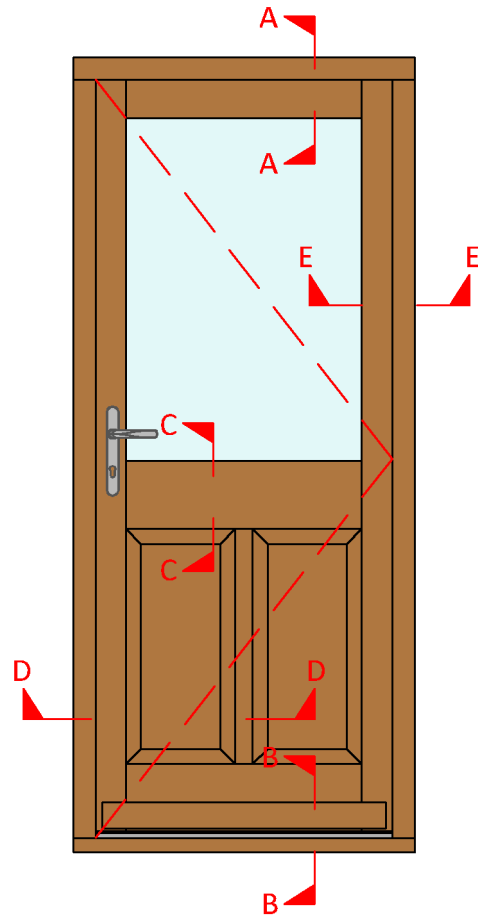
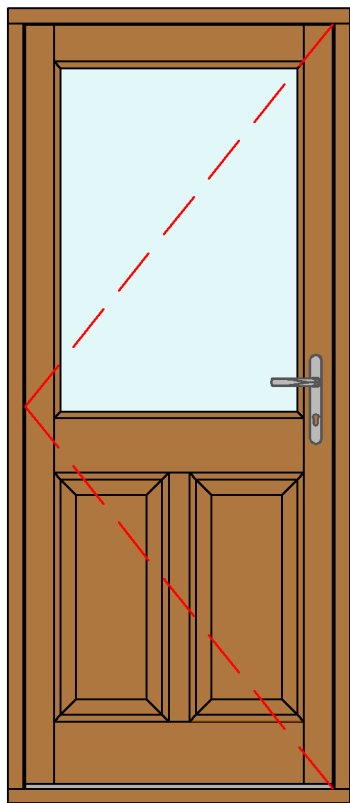


ELEVATIONS

Elevation 1 - Outside View (Scale 1:20)

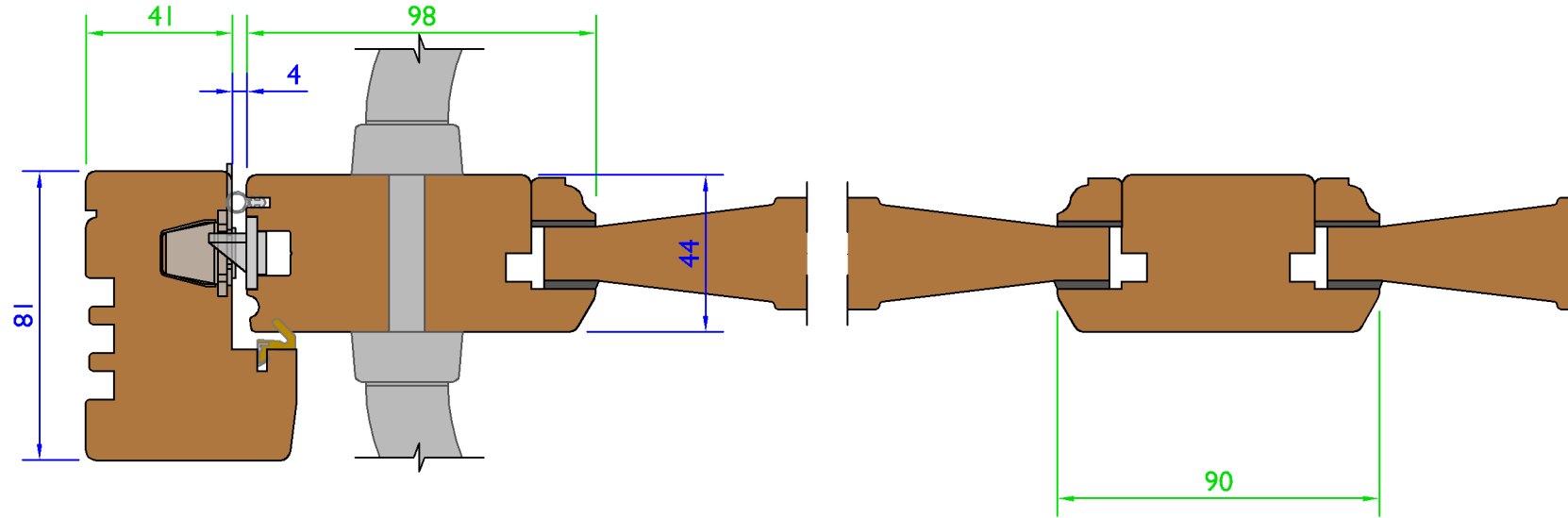


Elevation 2 - Inside View (Scale 1:20)

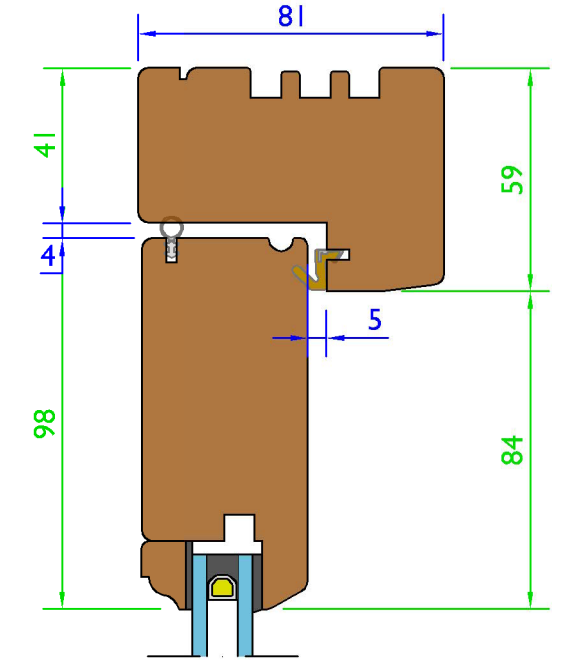


SECTIONS

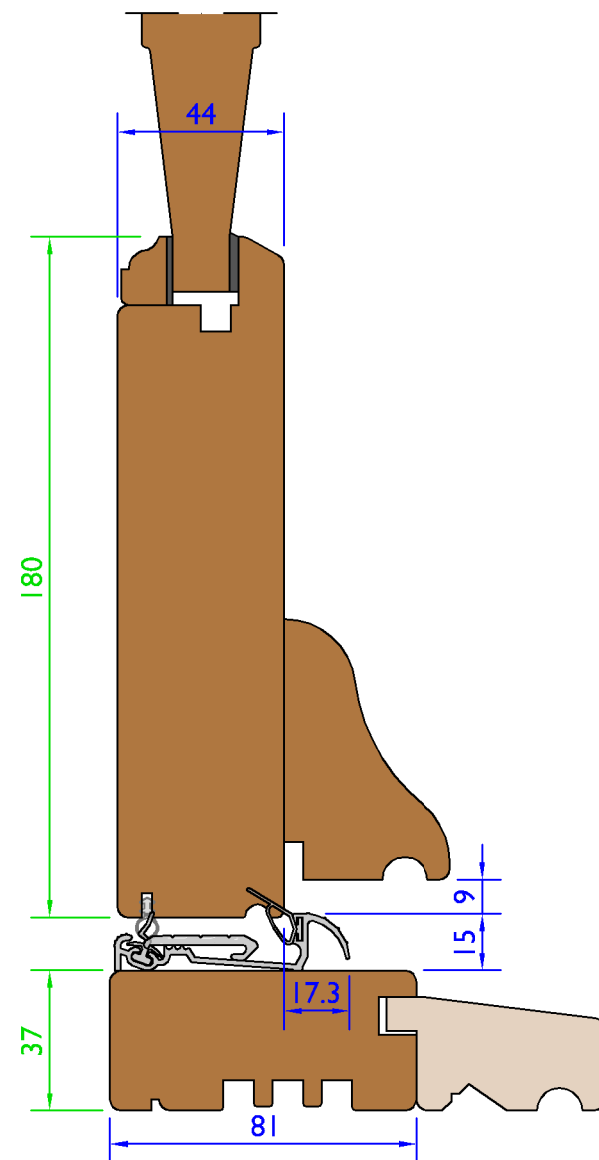
Section D-D - Jamb and Vertical Rail (Scale 1:2)



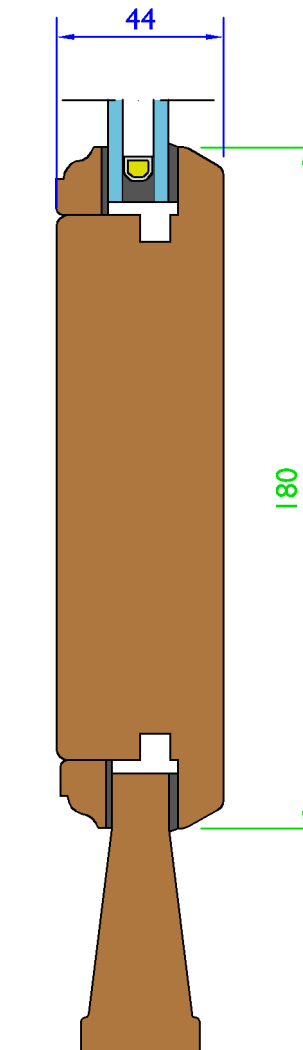
Section A-A - Head Detail (Scale 1:2)



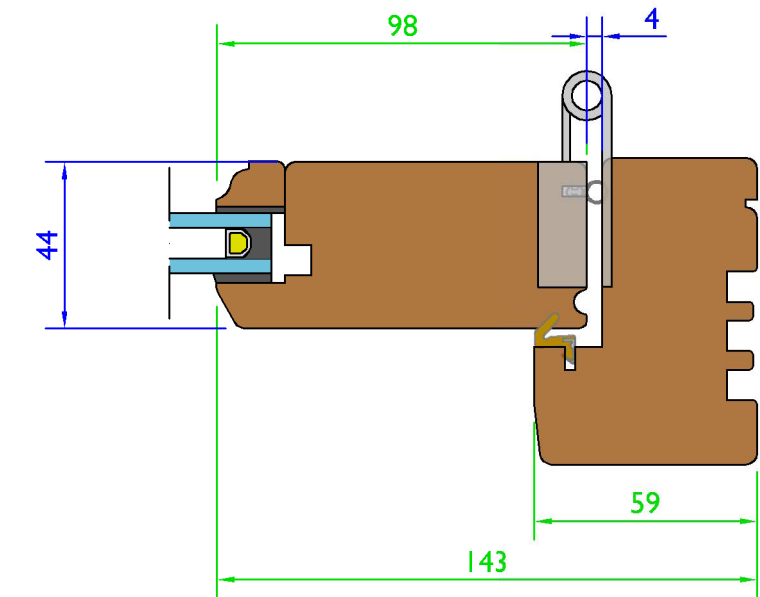
Section B-B - Cill Detail (Scale 1:2)



Section C-C - Midrail (Scale 1:2)



Section E-E Hinge Detail - (Scale 1:2)



Variable Dimensions
(Dim shown is usually min)

Fixed Dimensions

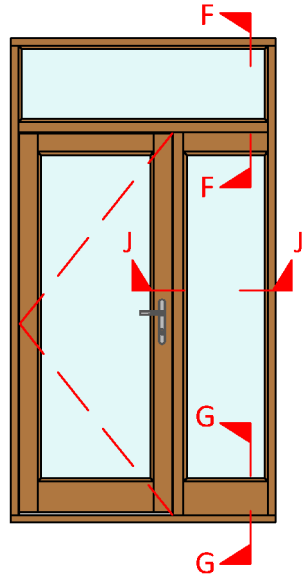
Tolerances: All tolerances are to George Barnsdale Standard Tolerance definitions (see supporting document for more detail) unless stated on the drawing.
© George Barnsdale & Son Ltd. All rights reserved. No part of this drawing may be reproduced without the permission of George Barnsdale & Son Ltd.

System: T-DS2-81		
Title: Traditional - Inward Opening Doorset (44mm)		
Scale:	As Shown	Rev No: A
		Date: 27-Oct-16
Drawn By:	LS	Sheet No: 1
		Status: WIP

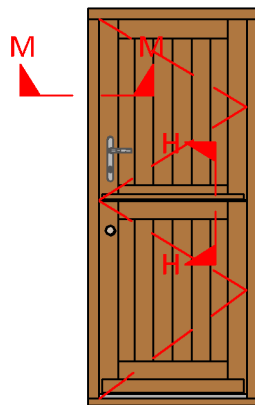
GEORGE BARNSDALE
Est. 1884
High Street, Dorington, Spalding, Lincs, PE11 4TA
01775 82300
www.georgebarnsdale.co.uk

ELEVATIONS

Type L204 - Outside View - (Scale 1:40)

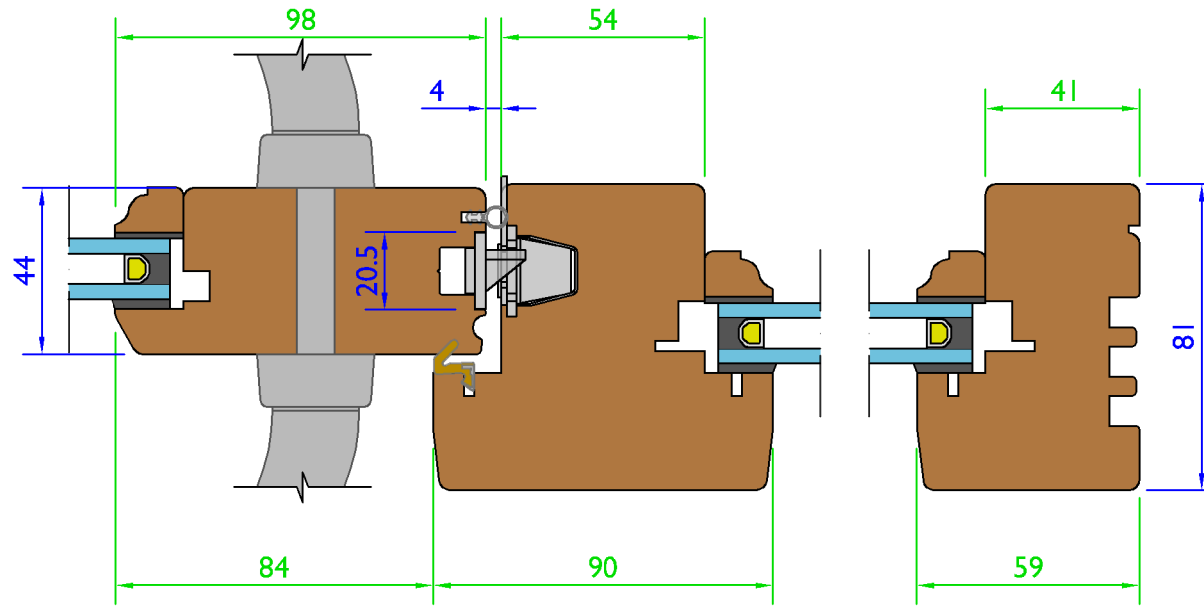


Stable Door - Outside View - (Scale 1:40)

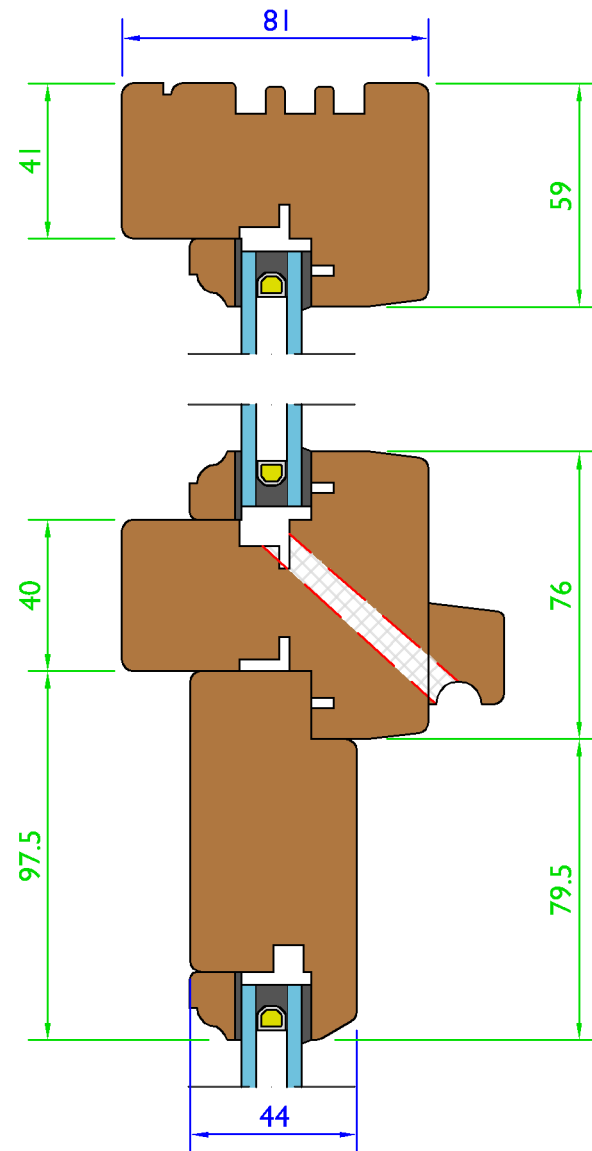


SECTIONS

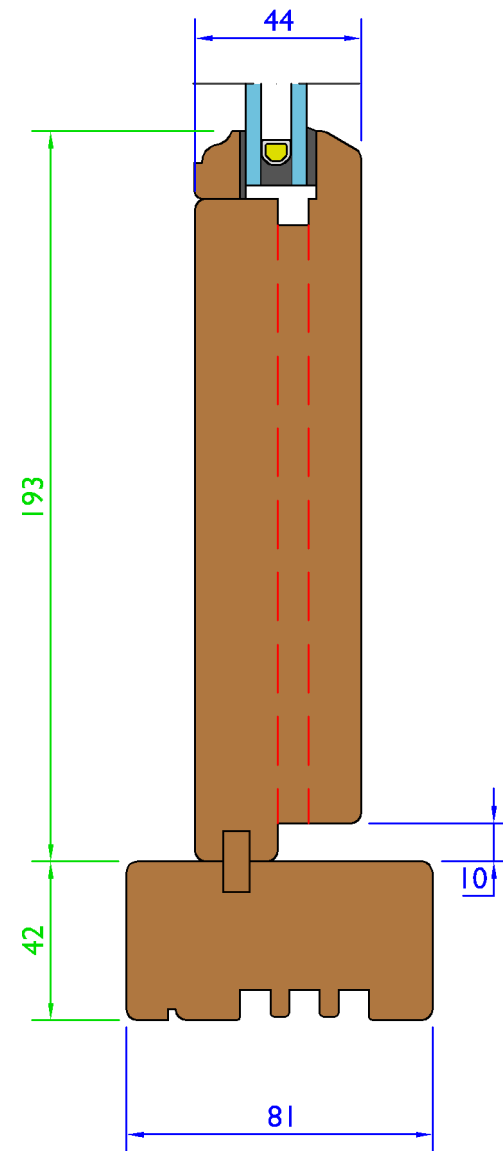
Section J-J - (Scale 1:2)



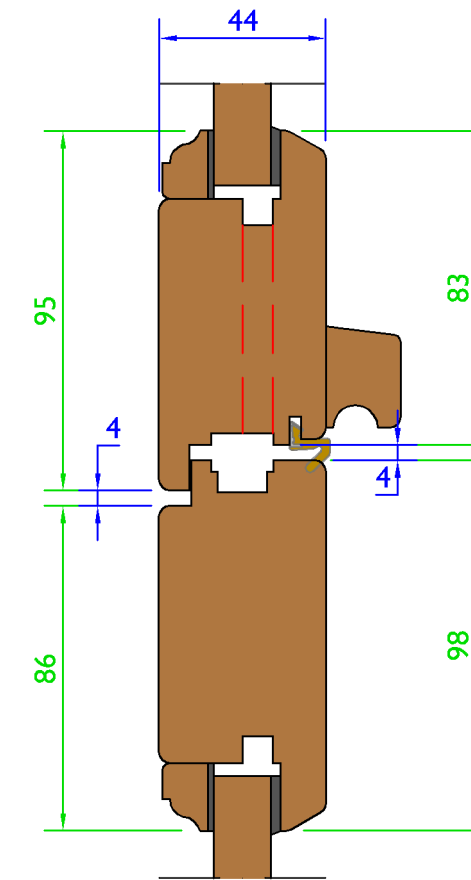
Section F-F - (Scale 1:2)



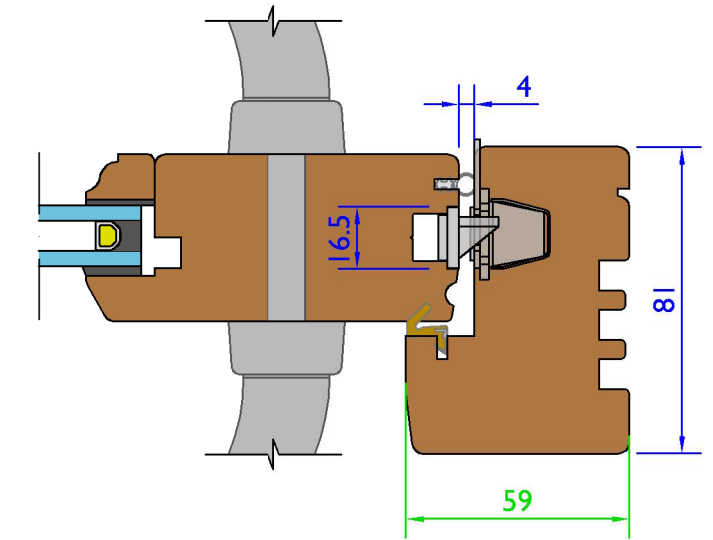
Section G-G - (Scale 1:2)



Stable Door Meeting H-H - (Scale 1:2)



Section M-M Stable Door Lock and Frame - (Scale 1:2)



Drainage System

Variable Dimensions (Dim shown is usually min)

Fixed Dimensions

Tolerances: All tolerances are to George Barnsdale Standard Tolerance definitions (see supporting document for more detail) unless stated on the drawing.
© George Barnsdal: & Sons Ltd. All rights reserved. No part of this drawing may be reproduced without the permission of George Barnsdale & Son Ltd.

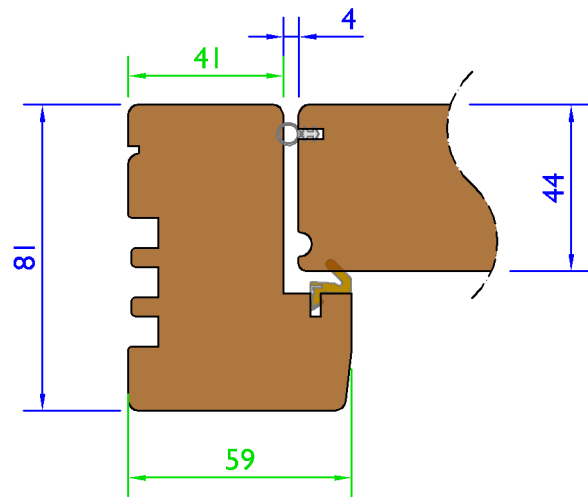
System: T-DS2-81		
Title: Traditional - Inward Opening Doorset (44mm)		
Scale:	As Shown	Rev No: A
		Date: 27-Oct-16
Drawn By:	LS	Sheet No: 2
		Status: WIP

GEORGE BARNSDALE
Est. 1884
High Street, Dorington, Spalding, Lincs, PE11 4TA
01775 82300
www.georgebarnsdale.co.uk

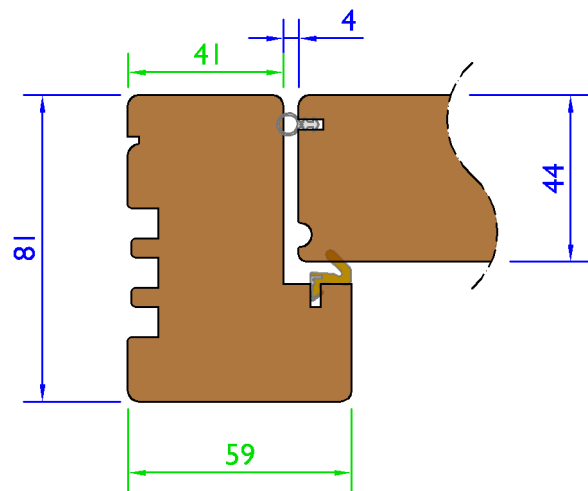
FRAME OPTIONS

Frame and Sash Options - (Scale 1:2)

81mm Frame - Standard Profile

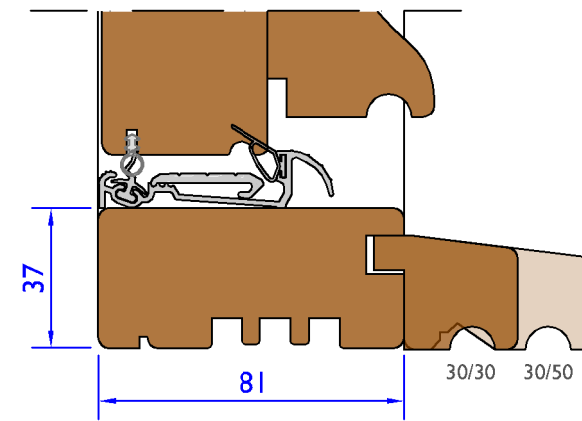


81mm Frame - Pencil Round Profile

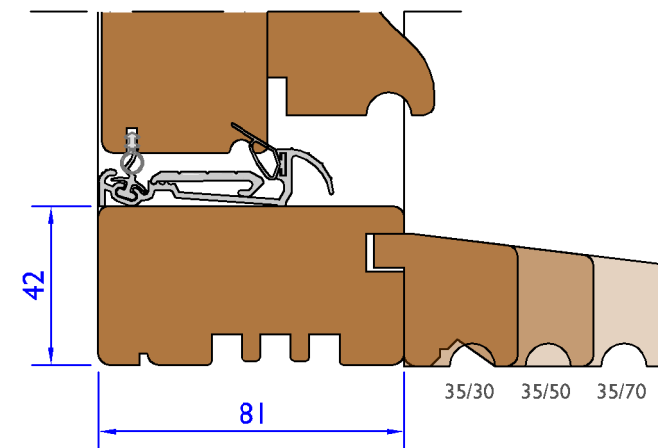


Cill Extension Options - (Scale 1:2)

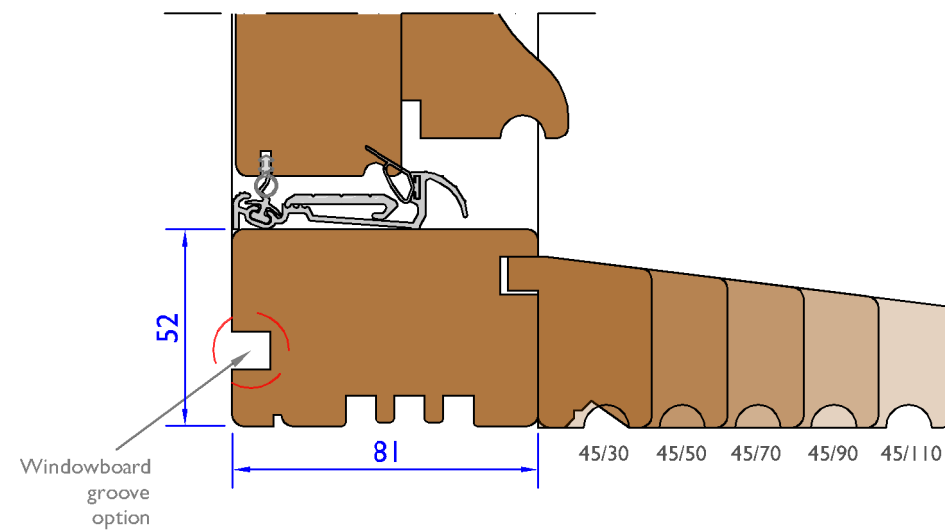
Cill Extension For 30 mm Extension



Cill Extension For 35 mm Extension

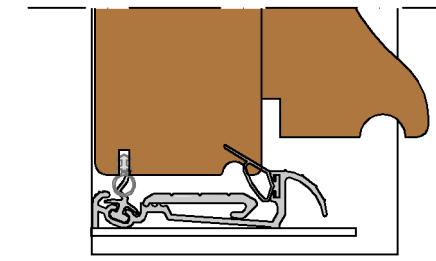


Cill Extension For 45 mm Extension

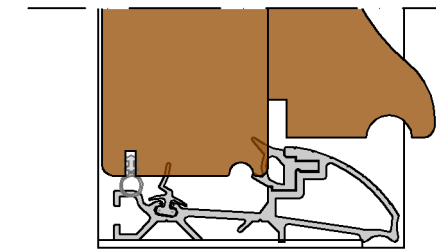


Low Threshold Options - (Scale 1:2)

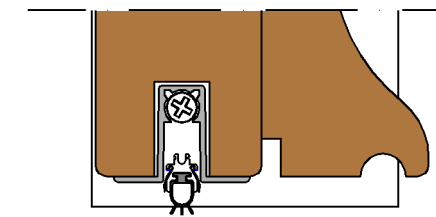
Low Threshold Cill Option 1 - (Scale 1:2)



Low Threshold Cill Option 3 - (Scale 1:2)



Low Threshold Cill Option 2 - (Scale 1:2)



Reduced weather performance

Variable Dimensions
(Dim shown is usually min)

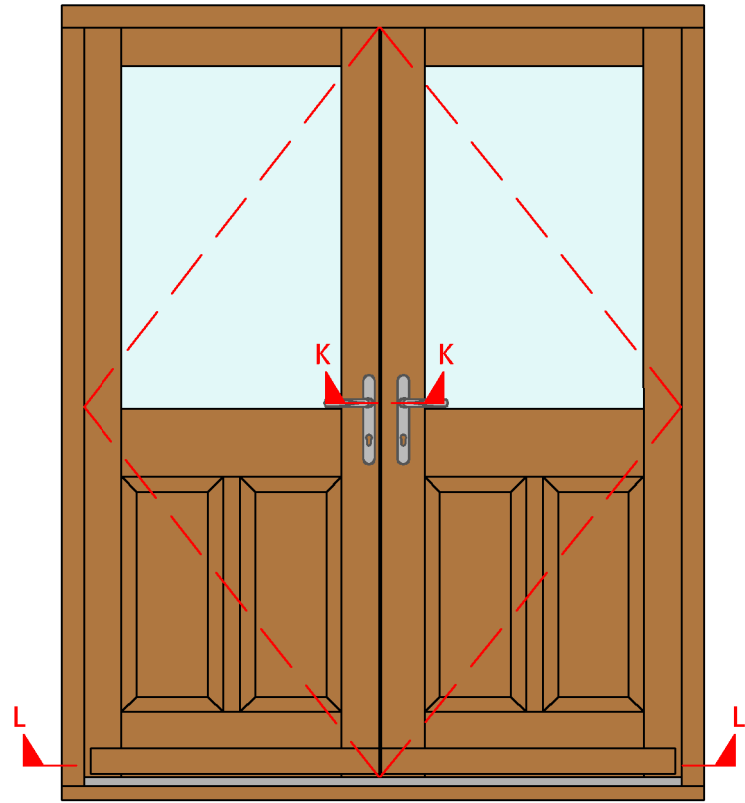
Fixed Dimensions

Tolerances: All tolerances are to George Barnsdale Standard Tolerance definitions (see supporting document for more detail) unless stated on the drawing.
© George Barnsdale & Sons Ltd. All rights reserved. No part of this drawing may be reproduced without the permission of George Barnsdale & Son Ltd.

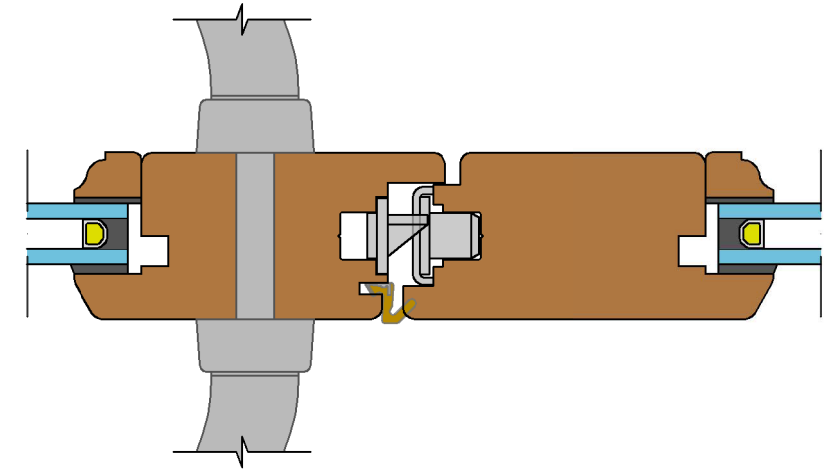
System: T-DS2-81		
Title: Traditional - Inward Opening Doorset (44mm)		
Scale:	As Shown	Rev No: A
		Date: 27-Oct-16
Drawn By:	LS	Sheet No: 3
		Status: WIP

GEORGE BARNSDALE
Est. 1884
High Street, Donington, Spalding, Lincs, PE11 4TA
01775 82300
www.georgebarnsdale.co.uk

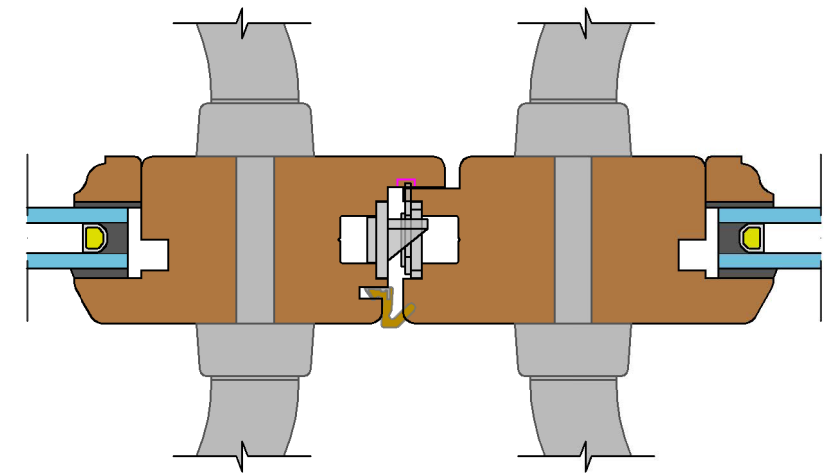
French Doors - Outside View (Scale 1:20)



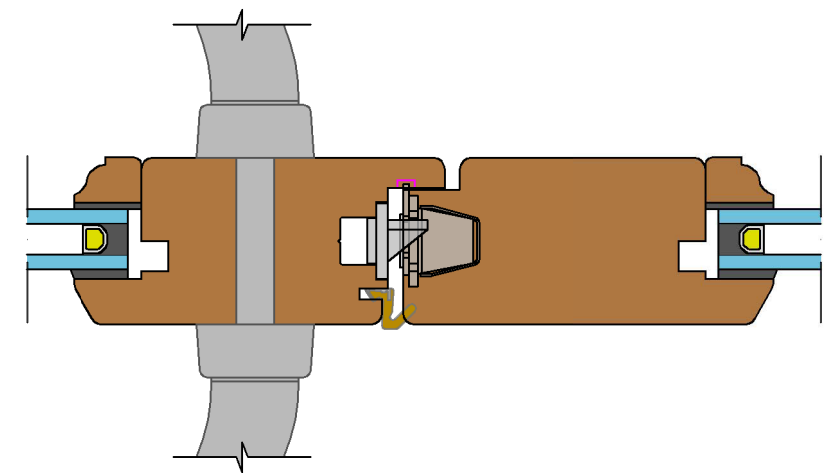
Section K-K - French Meeting Rail Options
French Door Meeting - (Scale 1:2)



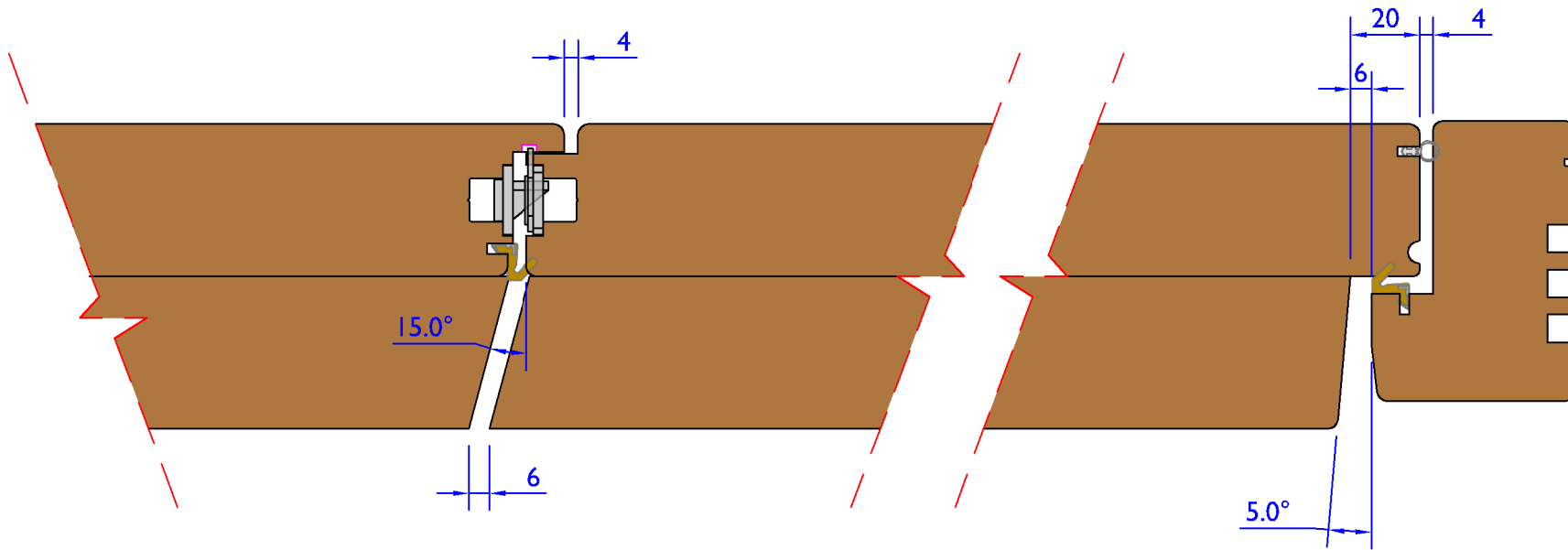
French Door Meeting Concealed Lock Option - (Scale 1:2)



Thumb Bolt Lock Option - (Scale 1:2)



Section L-L - Timber Weather Bar Fitting - (Scale 1:2)



— Variable Dimensions
(Dim shown is usually min)

— Fixed Dimensions

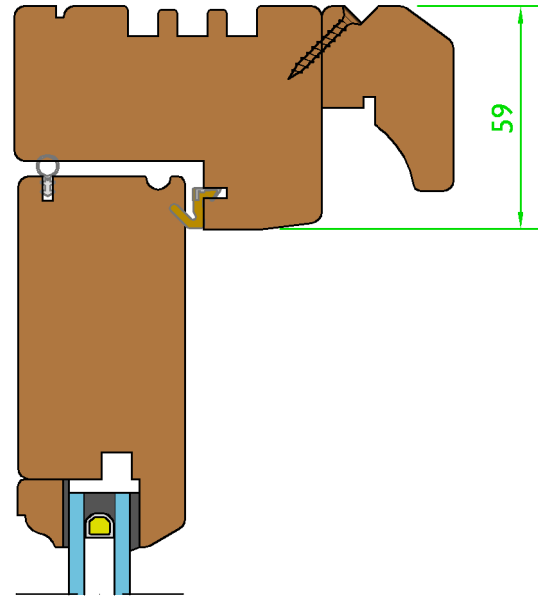
System: T-DS2-81			
Title: Traditional - Inward Opening Doorset (44mm)			
Scale:	As Shown	Rev No:	A
Drawn By:	LS	Date:	27-Oct-16
		Sheet No:	4
		Status:	WIP

GEORGE BARNSDALE
Est. 1884
High Street, Donington, Spalding, Lincs. PE11 4TA
01775 82300
www.georgebarnsdale.co.uk

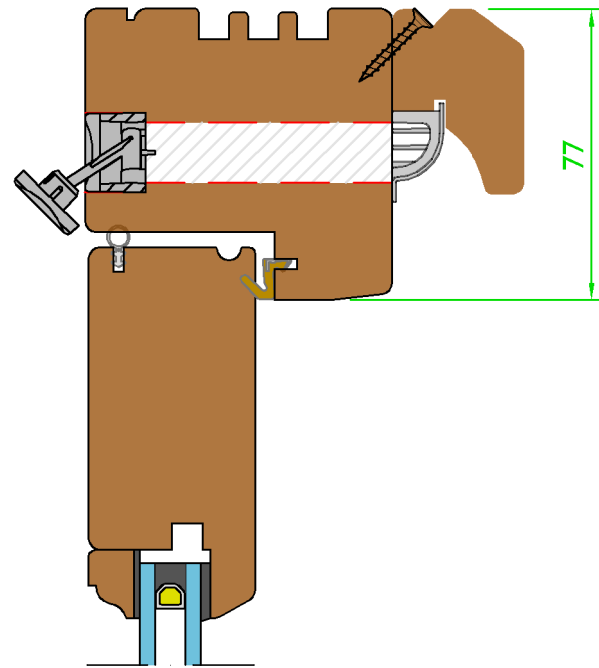
Tolerances: All tolerances are to George Barnsdale Standard Tolerance definitions (see supporting document for more detail) unless stated on the drawing.
© George Barnsdale & Sons Ltd. All rights reserved. No part of this drawing may be reproduced without the permission of George Barnsdale & Son Ltd.

VENTILATION OPTION DETAILS

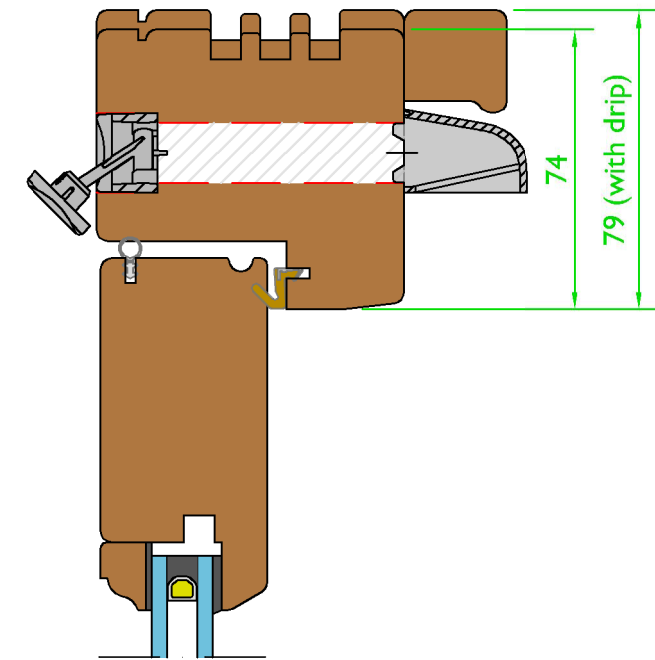
Frame With Head Drip Option - (Scale 1:2)



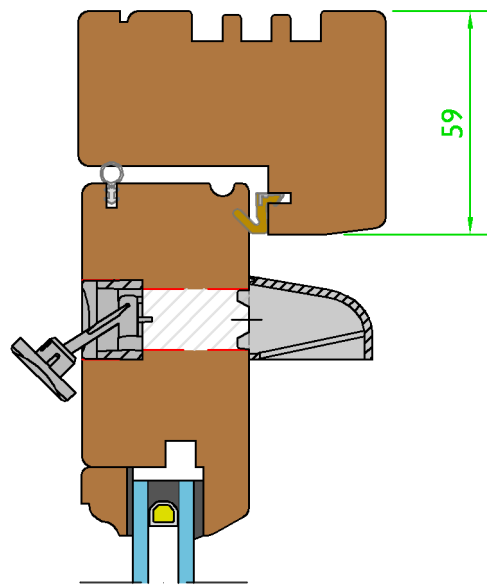
Frame Vent Option (Slide In/Grille Out) - (Scale 1:2)



Frame Vent Option (Slide In/Canopy Out) - (Scale 1:2)



Sash Vent Option (Slide In/Canopy Out) - (Scale 1:2)



 Vent System

 Variable Dimensions
(Dim shown is usually min)

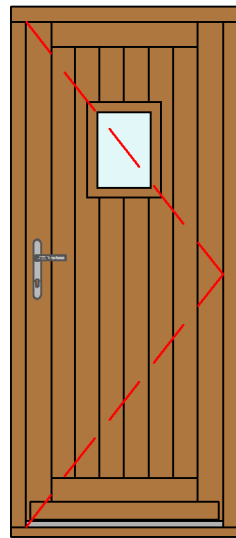
 Fixed Dimensions

Tolerances: All tolerances are to George Barnsdale Standard Tolerance definitions (see supporting document for more detail) unless stated on the drawing.
© George Barnsdale & Sons Ltd. All rights reserved. No part of this drawing may be reproduced without the permission of George Barnsdale & Son Ltd.

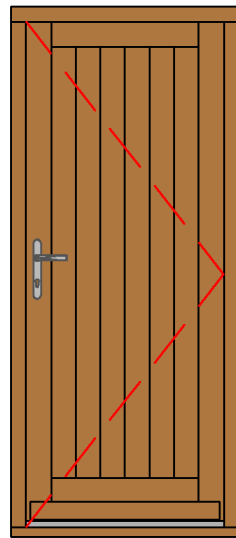
System: T-DS2-81		
Title: Traditional - Inward Opening Doorset (44mm)		
Scale:	Rev No:	Date:
As Shown	A	27-Oct-16
Drawn By:	Sheet No:	Status:
LS	5	WIP

GEORGE BARNSDALE
Est. 1884
High Street, Donington, Spalding, Lincs, PE11 4TA
01775 82300
www.georgebarnsdale.co.uk

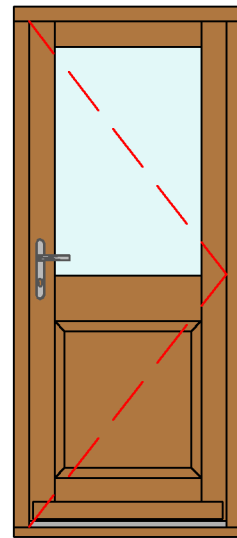
STANDARD DOOR TYPE (Scale 1:30)



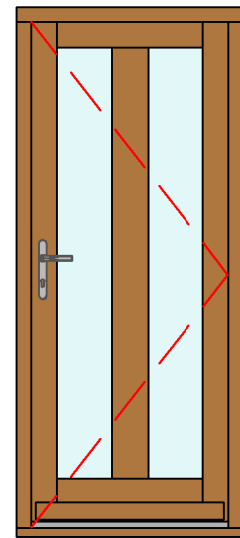
Type 101
(With Vision Panel)



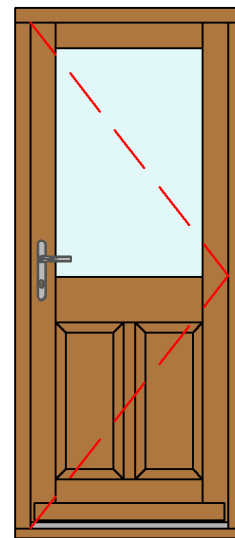
Type 101



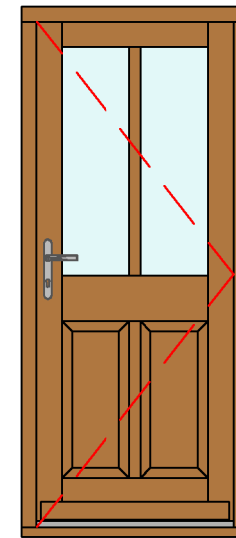
Type 102



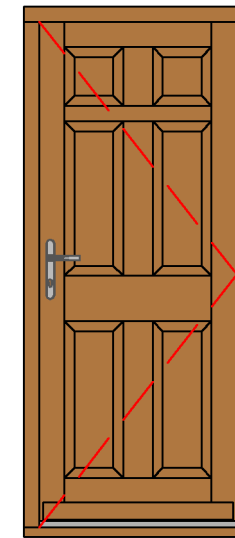
Type 103



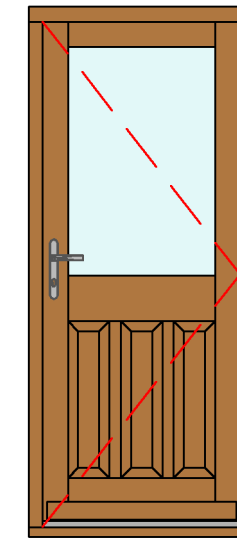
Type 104



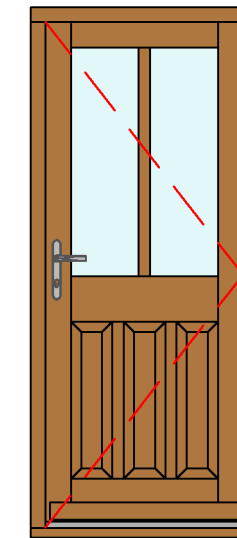
Type 105



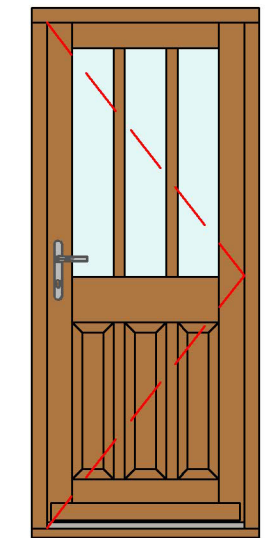
Type 106



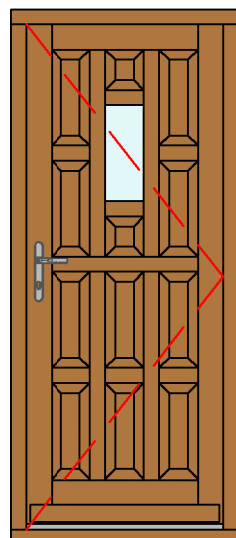
Type 107



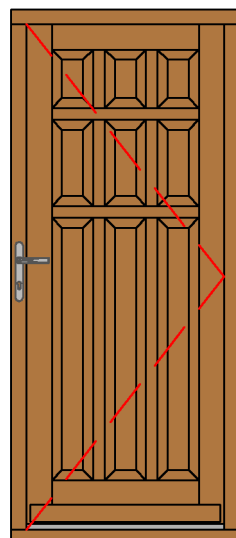
Type 108



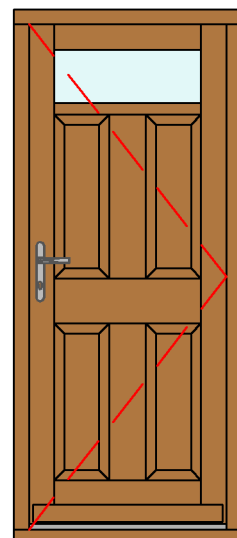
Type 109



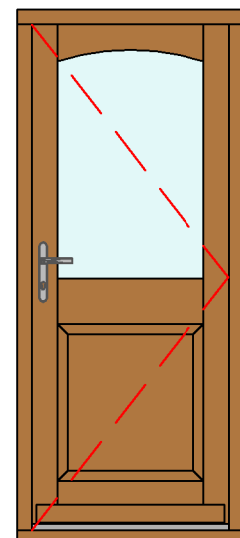
Type 157



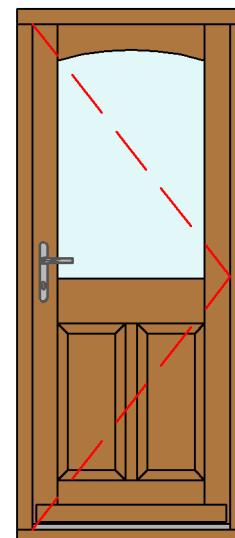
Type 110



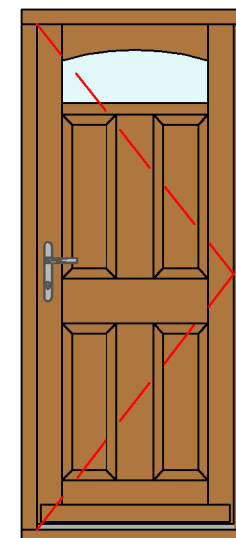
Type 111



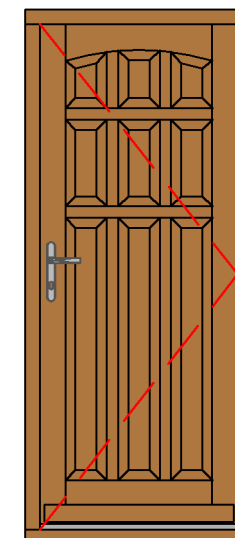
Type 120



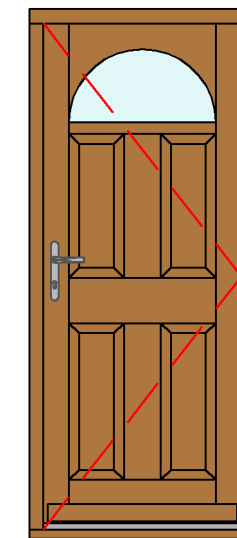
Type 121



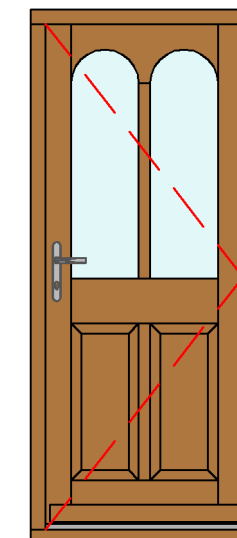
Type 122



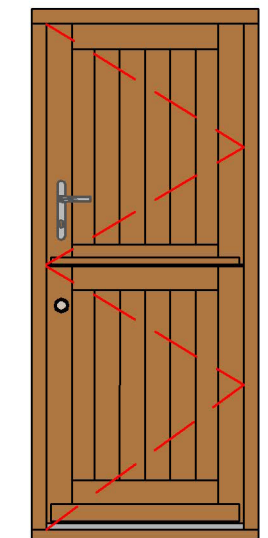
Type 123



Type 140



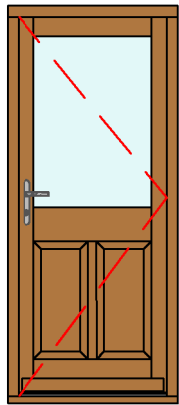
Type 141



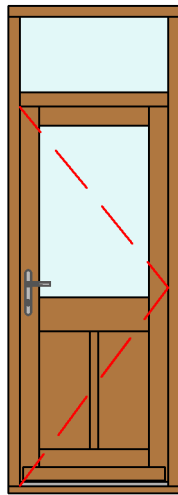
Type Stable

System: T-DS2-81		
Title: Traditional - Inward Opening Doorset (44mm)		
Scale:	Rev No:	Date:
As Shown	A	27-Oct-16
Drawn By:	Sheet No:	Status:
LS	6	WIP

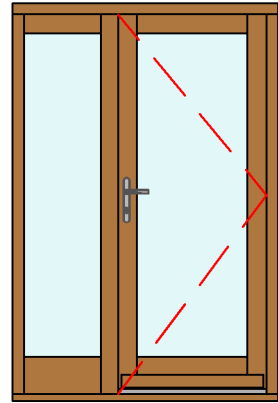
STANDARD DOOR TYPE (Scale 1:40)



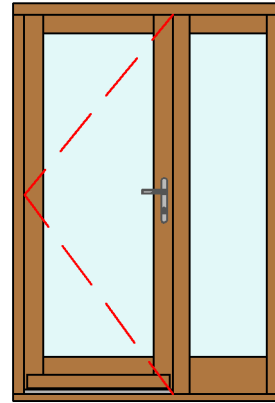
Type L101



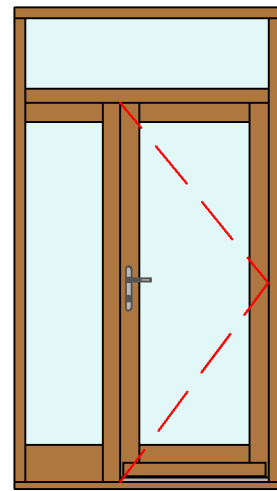
Type L102



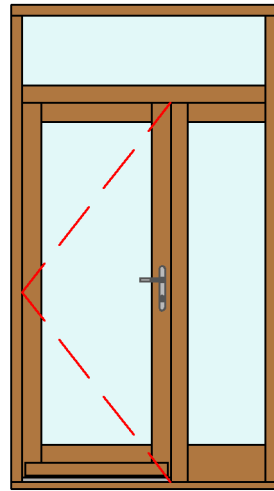
Type L201



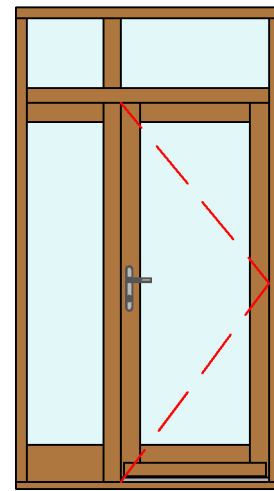
Type L202



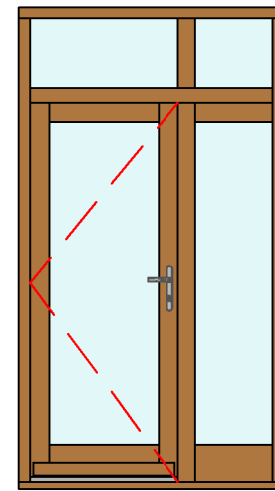
Type L203



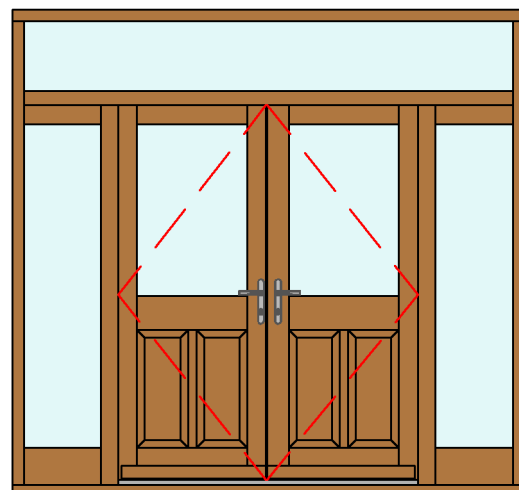
Type L204



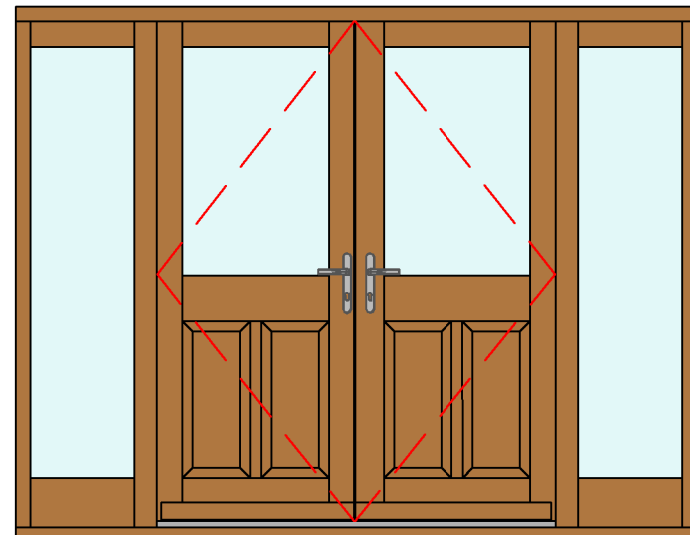
Type L205



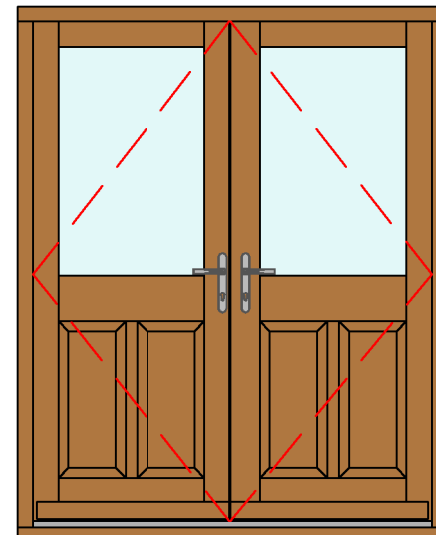
Type L206



French Doors With Sidelights and Fanlight



French Doors With Sidelights



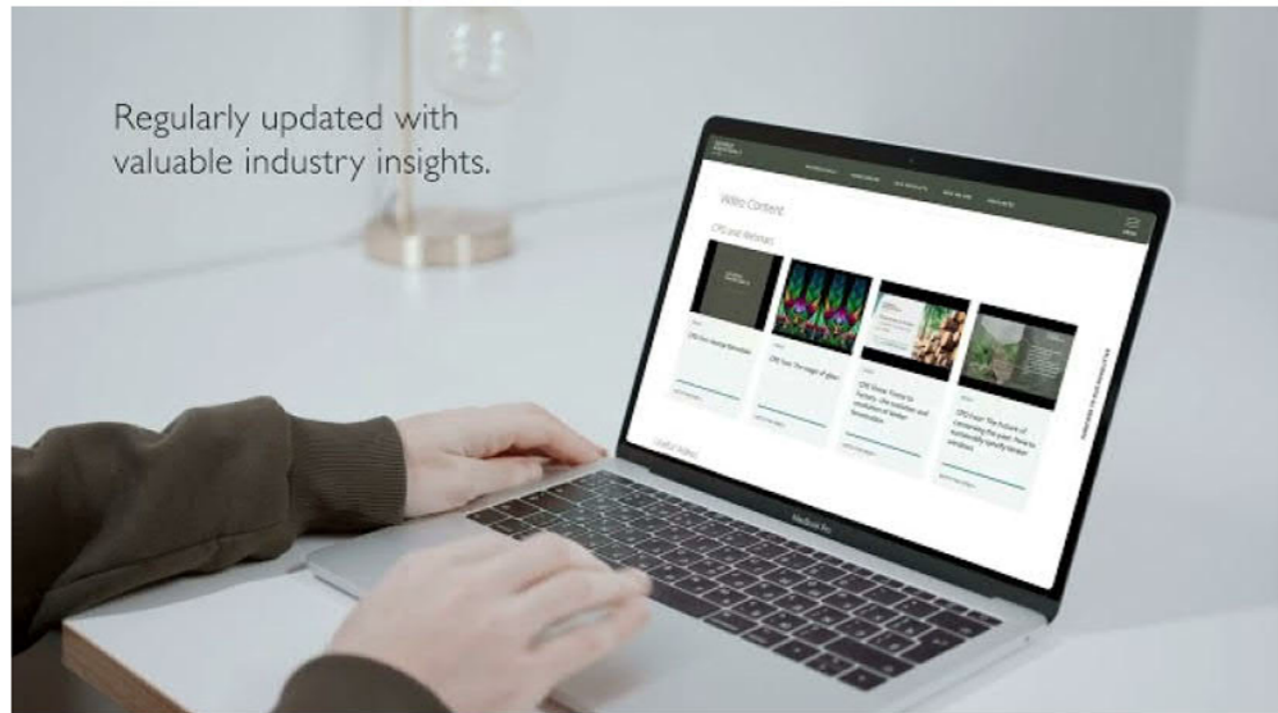
French Doors

System: T-DS2-81		
Title: Traditional - Inward Opening Doorset (44mm)		
Scale:	Rev No:	Date:
As Shown	A	27-Oct-16
Drawn By:	Sheet No:	Status:
LS	7	WIP

GEORGE BARNSDALE

Est. 1884

Sign up to our resource centre



Why not sign up for free access to our resource centre which has countless valuable resources including:

- CPDS on demand
- Useful videos
- Technical specs
- Certificates
- Manuals and guides
- Brochures
- CAD resources (DWG & DXF files)

Learn more

