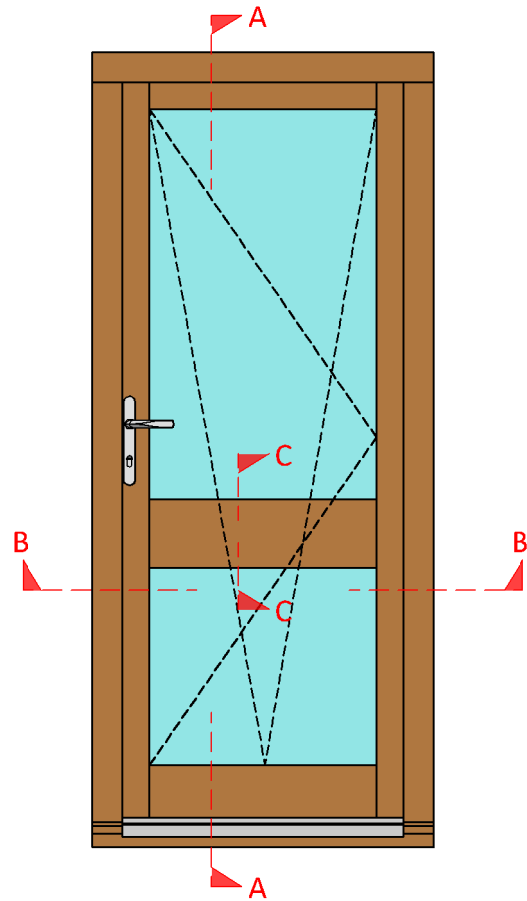
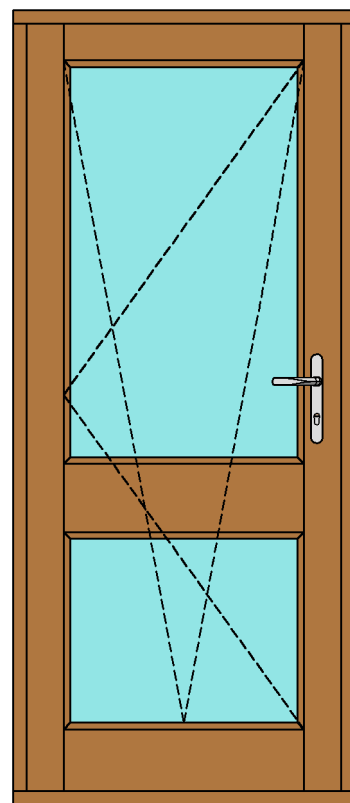


**ELEVATIONS**

Elevation 1 - Outside View

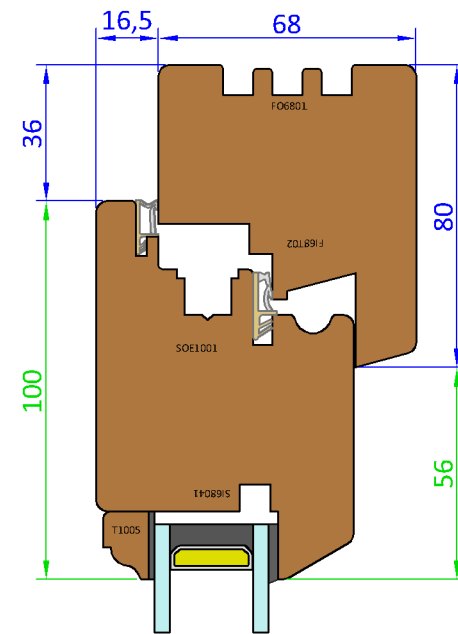


Elevation 2 - Inside View

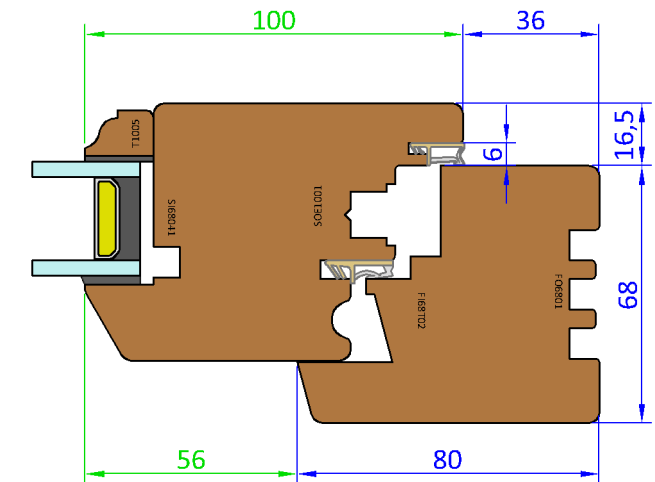
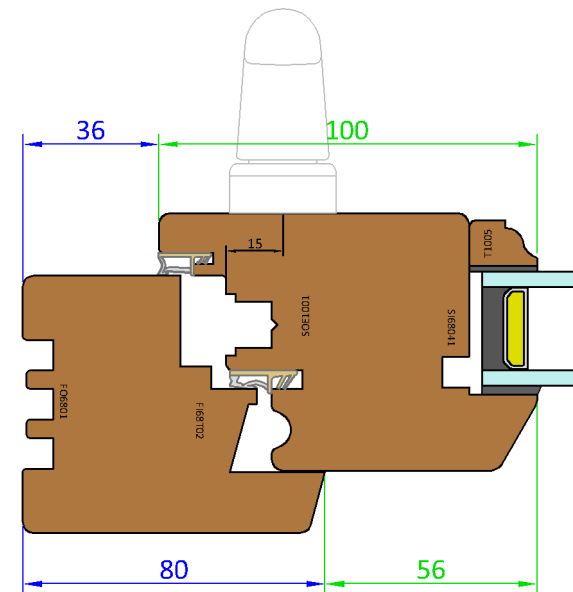


**SECTIONS**

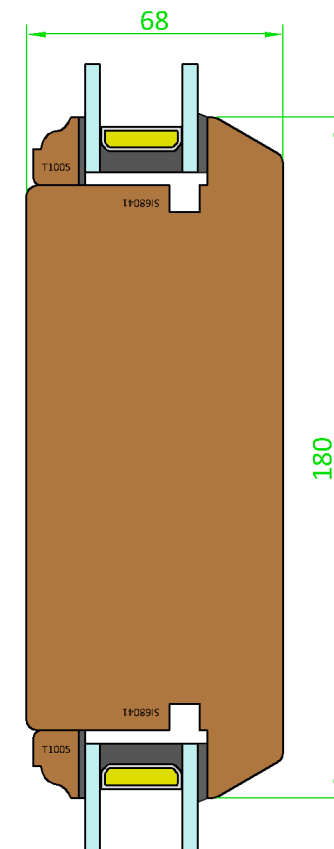
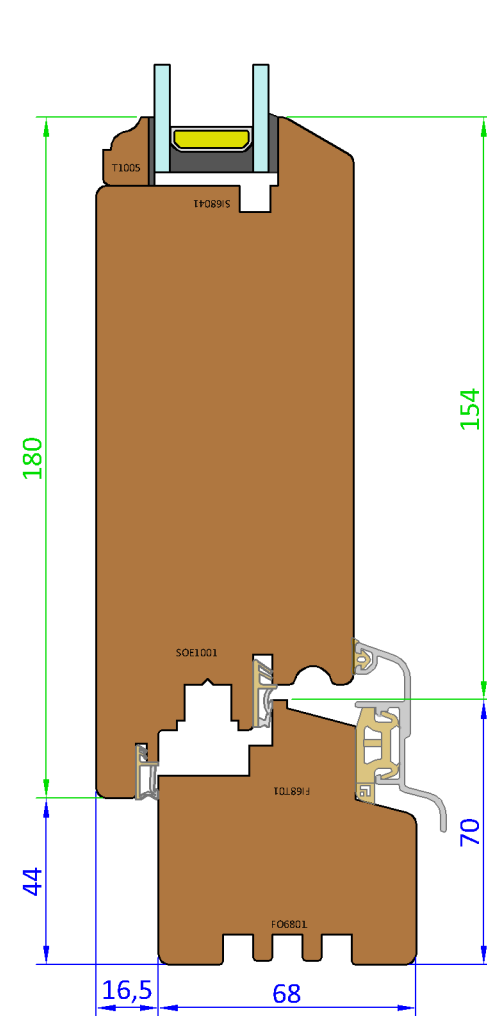
Section A-A - Head and Cill



Section B-B - Standard 68mm Jamb Details



Section C-C - Standard 68mm Jamb Details



**Tolerances:** All tolerances are to George Barnsdale Standard Tolerance definitions (see supporting document for more detail) unless stated on the drawing.  
 © George Barnsdale & Sons Ltd. All rights reserved. No part of this drawing may be reproduced without the permission of George Barnsdale & Son Ltd.

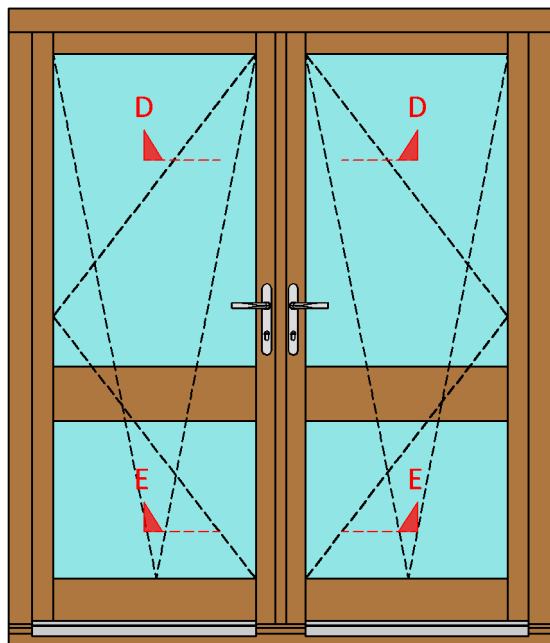
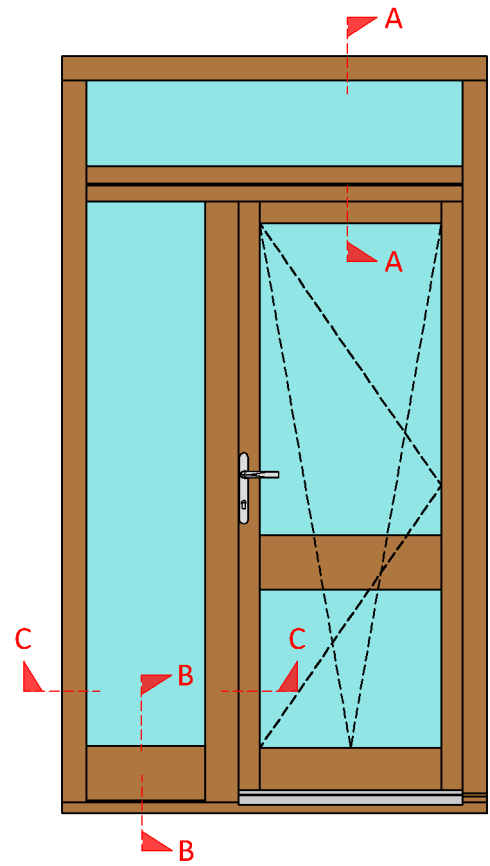
Variable Dimensions  
 Fixed Dimensions

Title: DS11 Inward Opening Door Manufacturers Details		
Scale: As Shown	Date: 13/06/2014	Sheet No: 1
Drawn: LRP	Approved:	Rev: 0

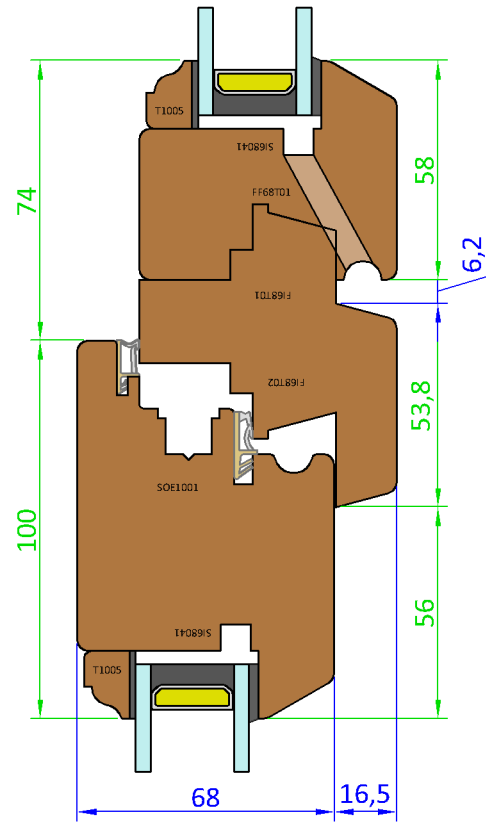
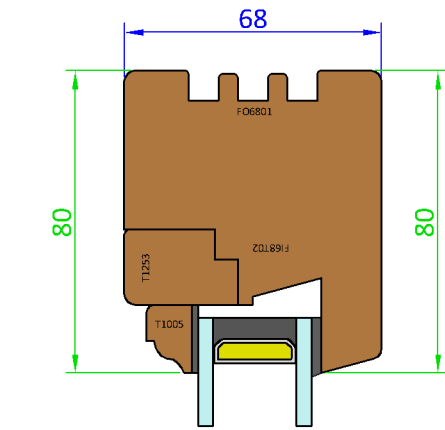
**GEORGE BARNSDALE**  
 ESTABLISHED 1884

High Street, Donington, Spalding, Lincs, PE11 4TA.  
 T: 01775 823000 F: 01775 823010  
 enquiries@georgebarnsdale.co.uk  
 www.georgebarnsdale.co.uk

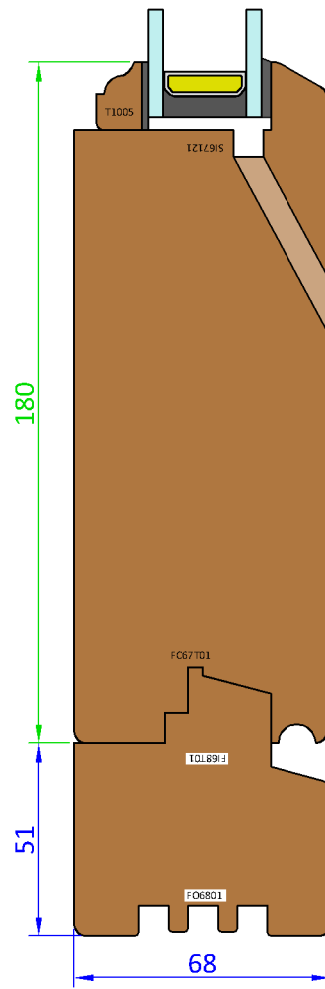
OPTIONS



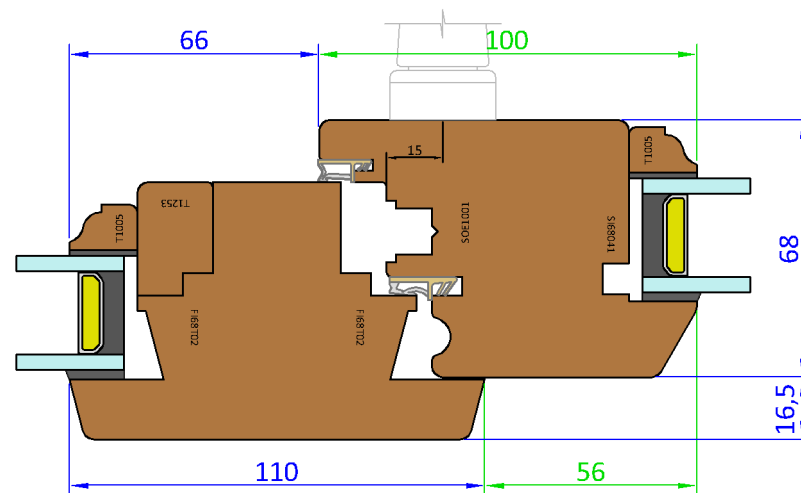
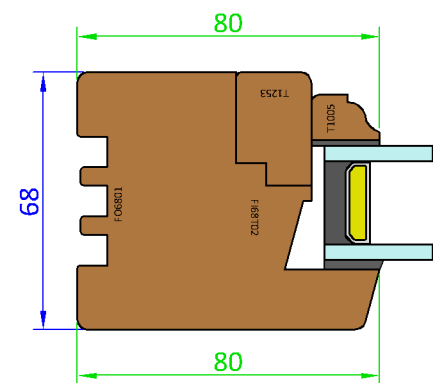
Section A-A - (Scale 1:2)



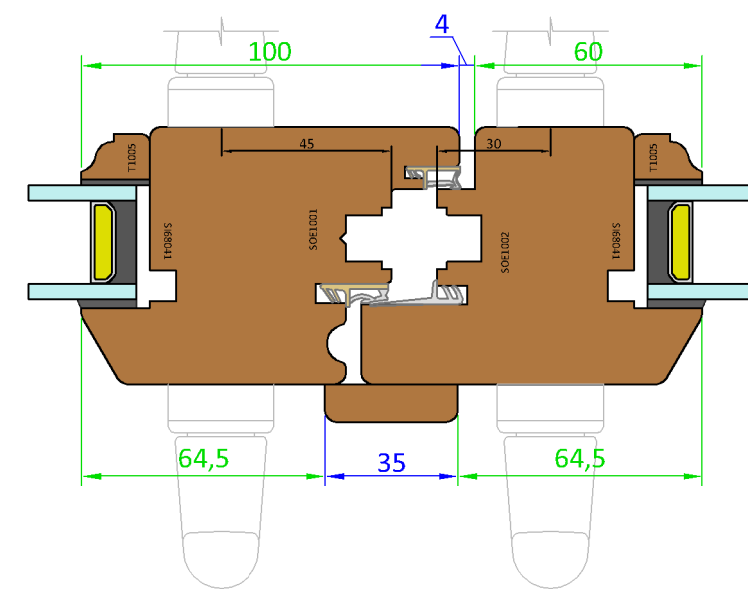
Section B-B - (Scale 1:2)



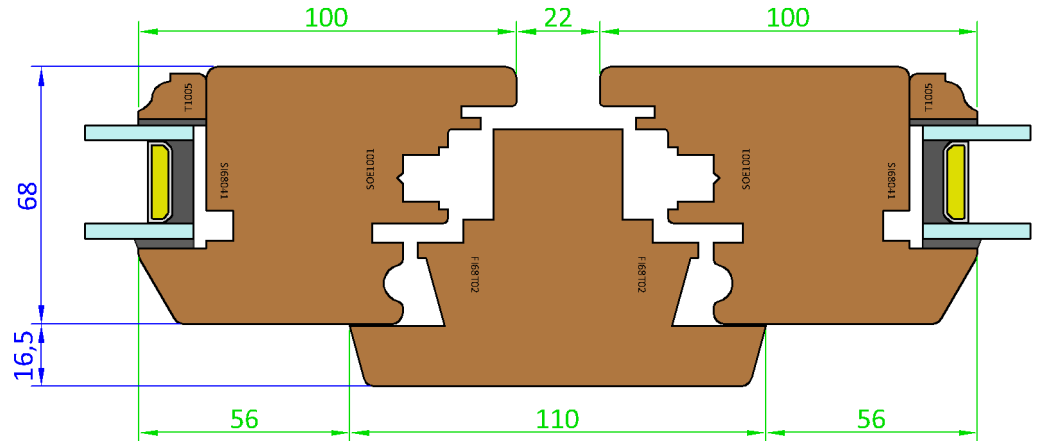
Section C-C - (Scale 1:2)



French Door Meeting Rail Section D-D - (Scale 1:2)



Mullion Details Section E-E - (Scale 1:2)



Tolerances: All tolerances are to George Barnsdale Standard Tolerance definitions (see supporting document for more detail) unless stated on the drawing.  
© George Barnsdale & Sons Ltd. All rights reserved. No part of this drawing may be reproduced without the permission of George Barnsdale & Son Ltd.

Variable Dimensions  
Fixed Dimensions

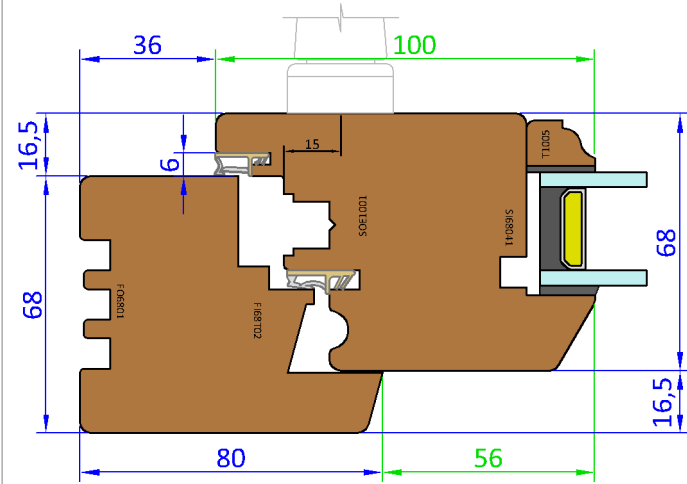
Title: DS11 Inward Opening Door Manufacturers Details		
Scale: As Shown	Date: 16/06/2014	Sheet No: 2
Drawn: LRP	Approved:	Rev: 0



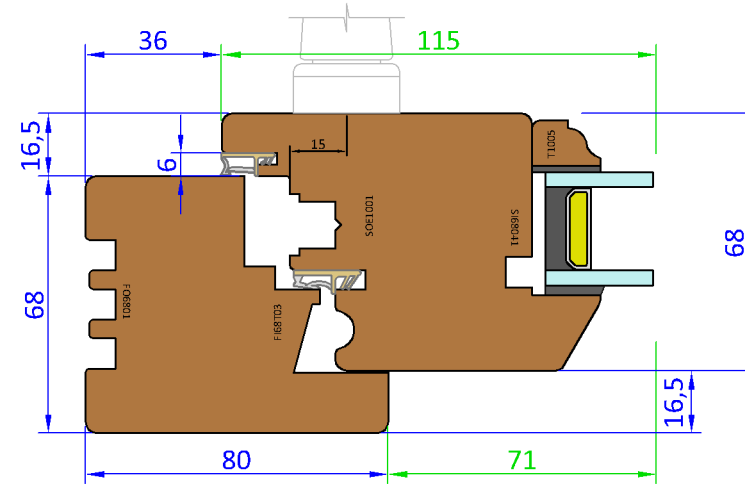
High Street, Donington, Spalding, Lincs, PE11 4TA.  
T: 01775 823000 F: 01775 823010  
enquiries@georgebarnsdale.co.uk  
www.georgebarnsdale.co.uk

**FRAME AND SASH OPTIONS**

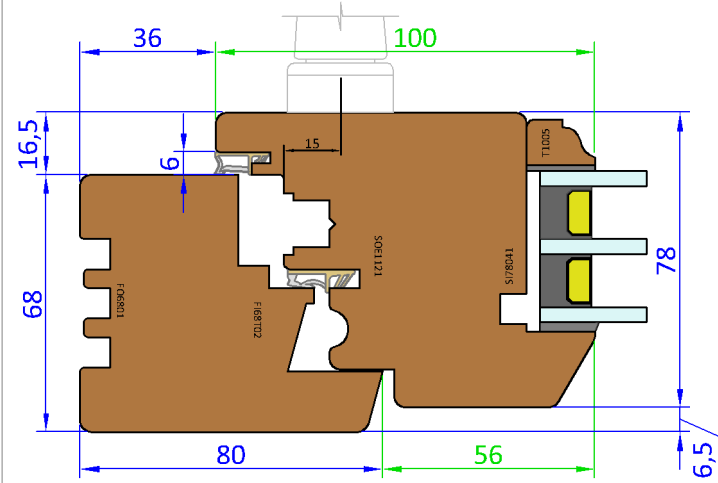
68mm Frame and 68mm Sash - Standard Profile



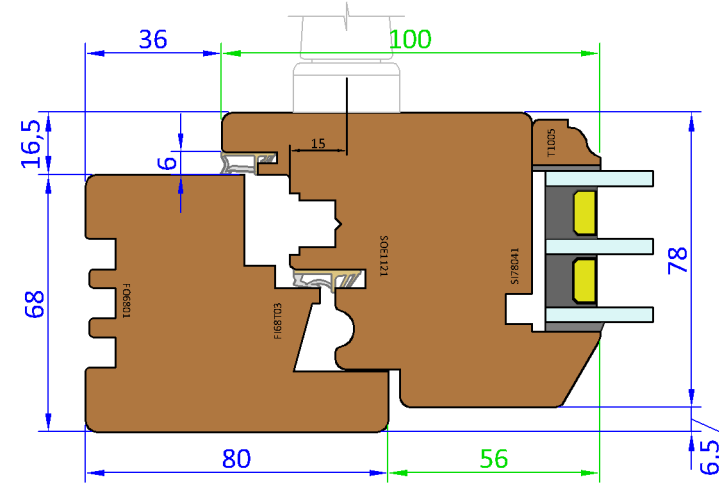
68mm Frame and 68mm Sash - Pencil Round Profile



68mm Frame and 78mm Sash - Standard Profile



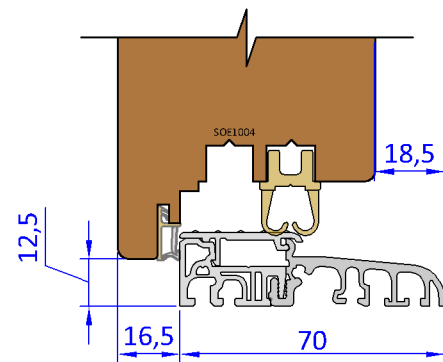
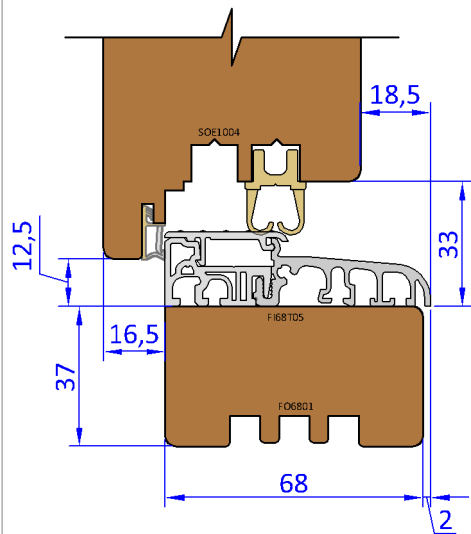
68mm Frame and 78mm Sash - Pencil Round Profile



Low Threshold Cill Option 1

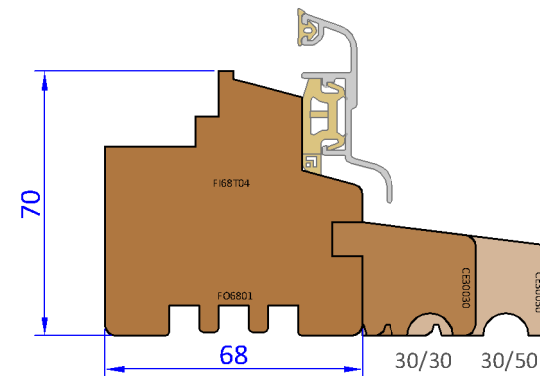
Low Threshold Cill Option 2

\* 40, 110 and 120mm aluminium cills are available

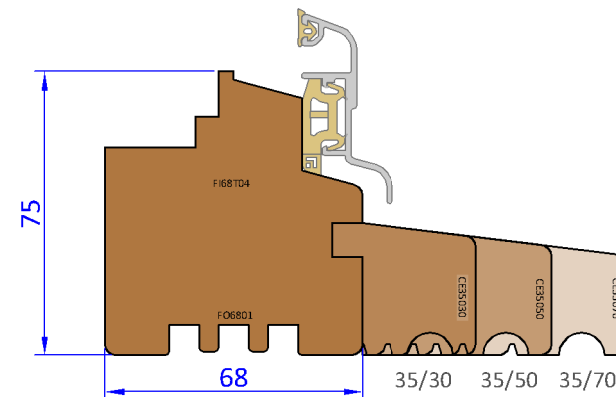


**Cill Extension Options - (Scale 1:2)**

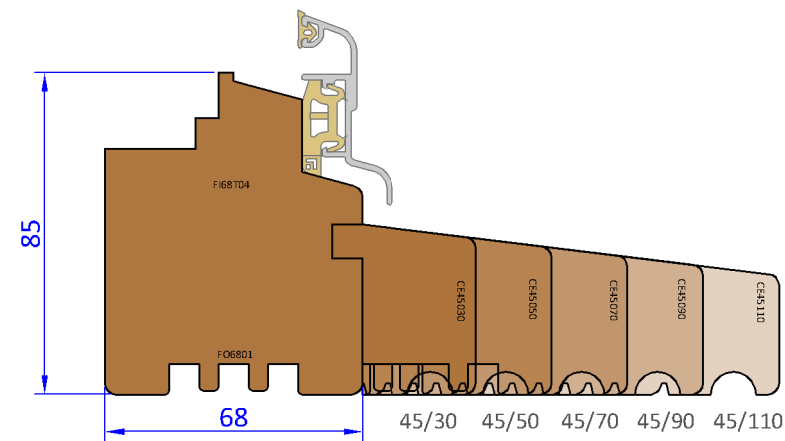
Cill Extension for 30mm Extensions



Cill Extension for 35mm Extensions



Cill Extension for 45mm Extensions



Variable Dimensions  
Fixed Dimensions

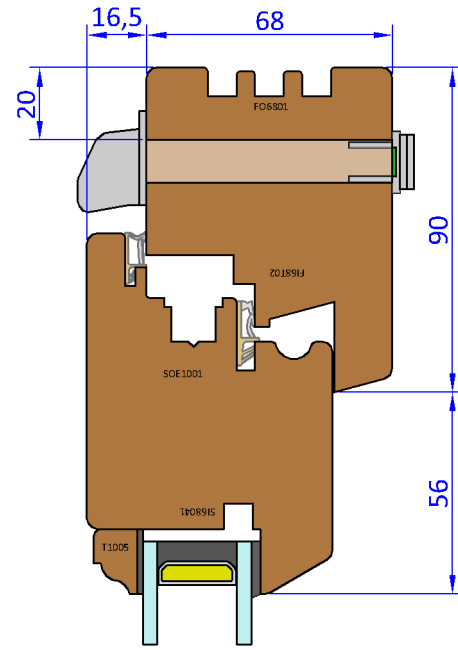
Title: DS11 Inward Opening Door Manufacturers Details		
Scale: As Shown	Date: 16/06/2014	Sheet No: 3
Drawn: LRP	Approved:	Rev: 0

**GEORGE BARNSDALE**  
ESTABLISHED 1884

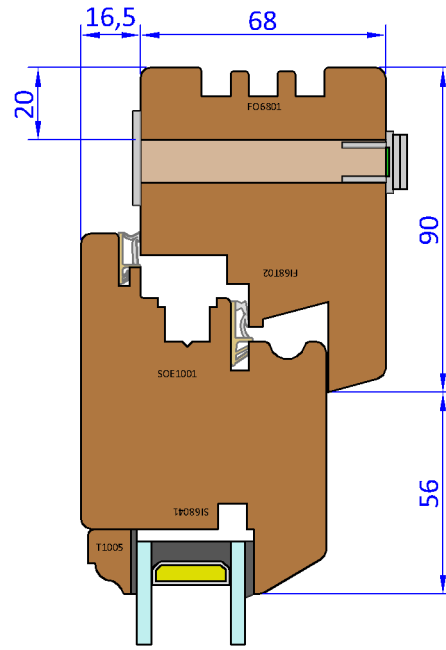
High Street, Donington, Spalding, Lincs, PE11 4TA.  
T: 01775 823000 F: 01775 823010  
enquiries@georgebarnsdale.co.uk  
www.georgebarnsdale.co.uk

VENTILATION OPTION DETAILS - (Scale 1:2)

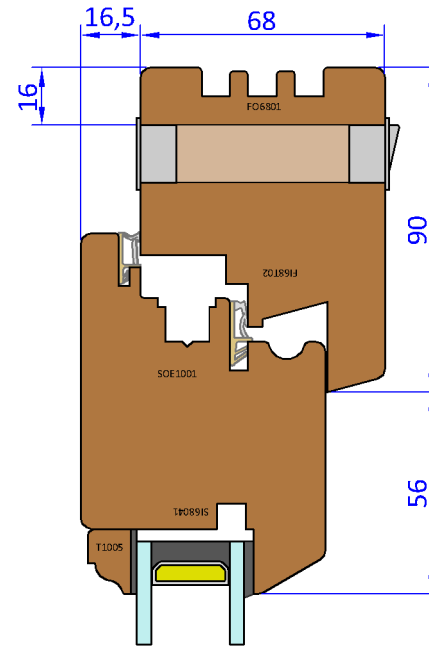
Frame Vent Type 1 (Slide In/Canopy Out)



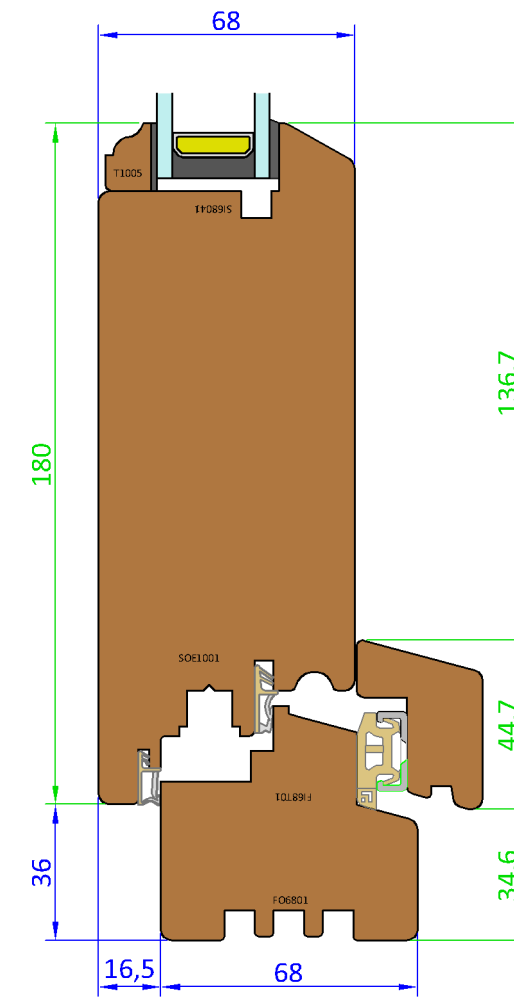
Frame Vent Type 2 (Slide In/Grille Out)



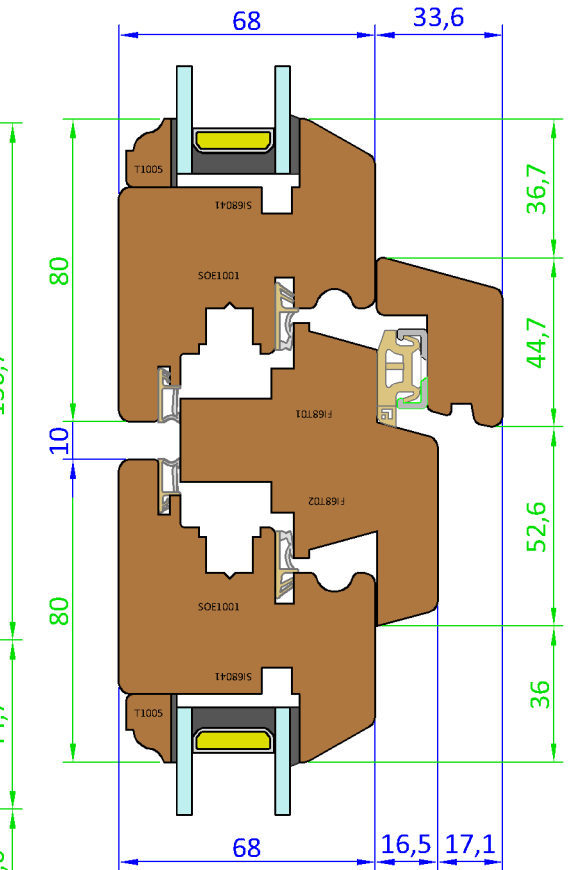
Frame Vent Type 3 (Flush)



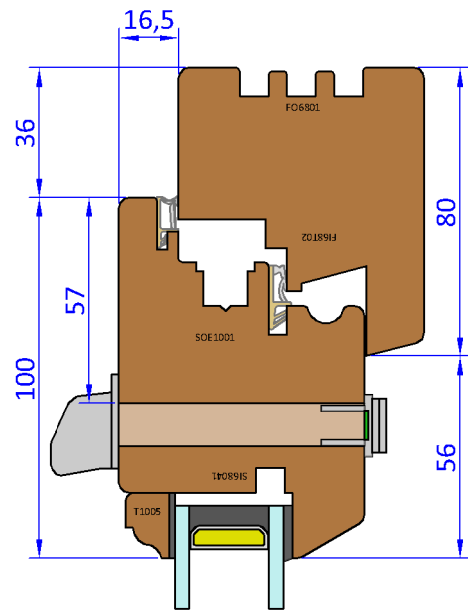
Timber Cill Option - (Scale 1:2)



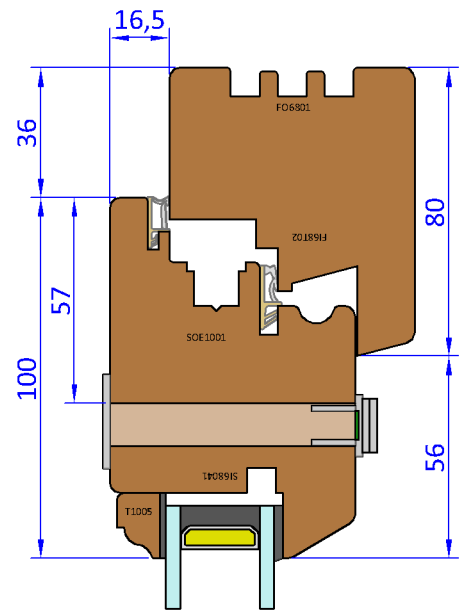
Timber Transom Option - (Scale 1:2)



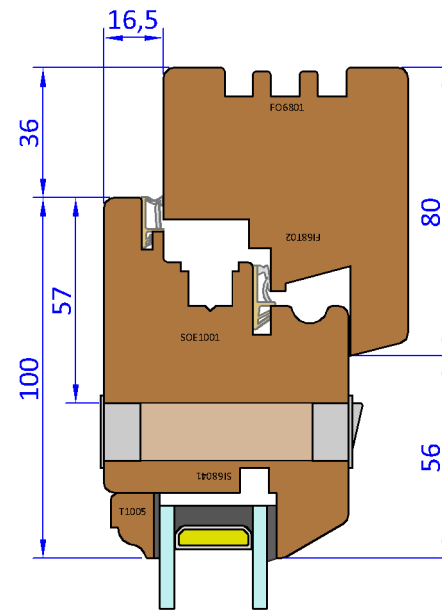
Sash Vent Type 1 (Slide In/Canopy Out)



Sash Vent Type 2 (Slide In/Grille Out)



Sash Vent Type 3 (Flush)



**Tolerances:** All tolerances are to George Barnsdale Standard Tolerance definitions (see supporting document for more detail) unless stated on the drawing.  
© George Barnsdale & Sons Ltd. All rights reserved. No part of this drawing may be reproduced without the permission of George Barnsdale & Son Ltd.

— Variable Dimensions  
— Fixed Dimensions

Title: DS11 Inward Opening Door Manufacturers Details		
Scale: As Shown	Date: 16/06/2014	Sheet No: 4
Drawn: LRP	Approved:	Rev: 0

**GEORGE BARNSDALE**  
ESTABLISHED 1884

High Street, Donington, Spalding, Lincs, PE11 4TA.  
T: 01775 823000 F: 01775 823010  
enquiries@georgebarnsdale.co.uk  
www.georgebarnsdale.co.uk