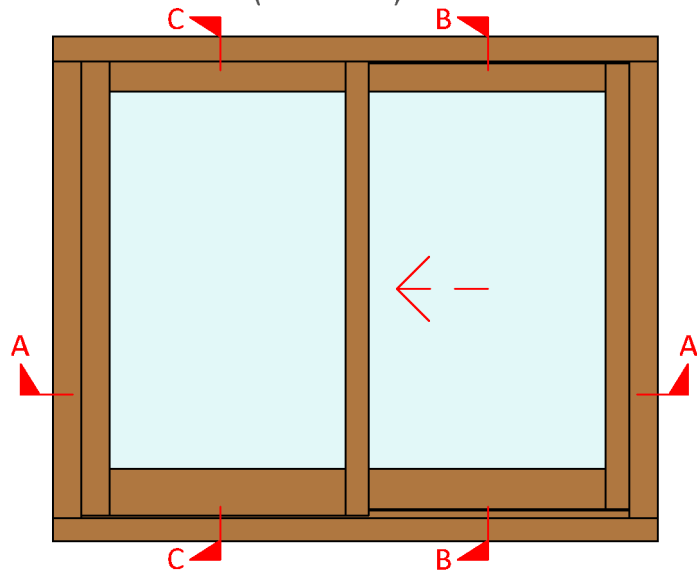
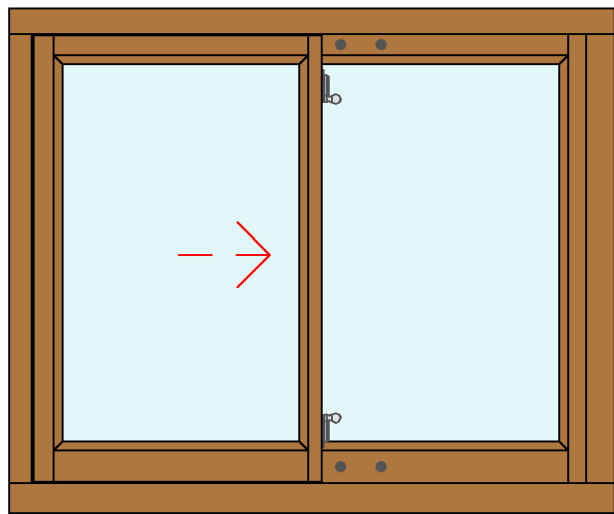


ELEVATIONS

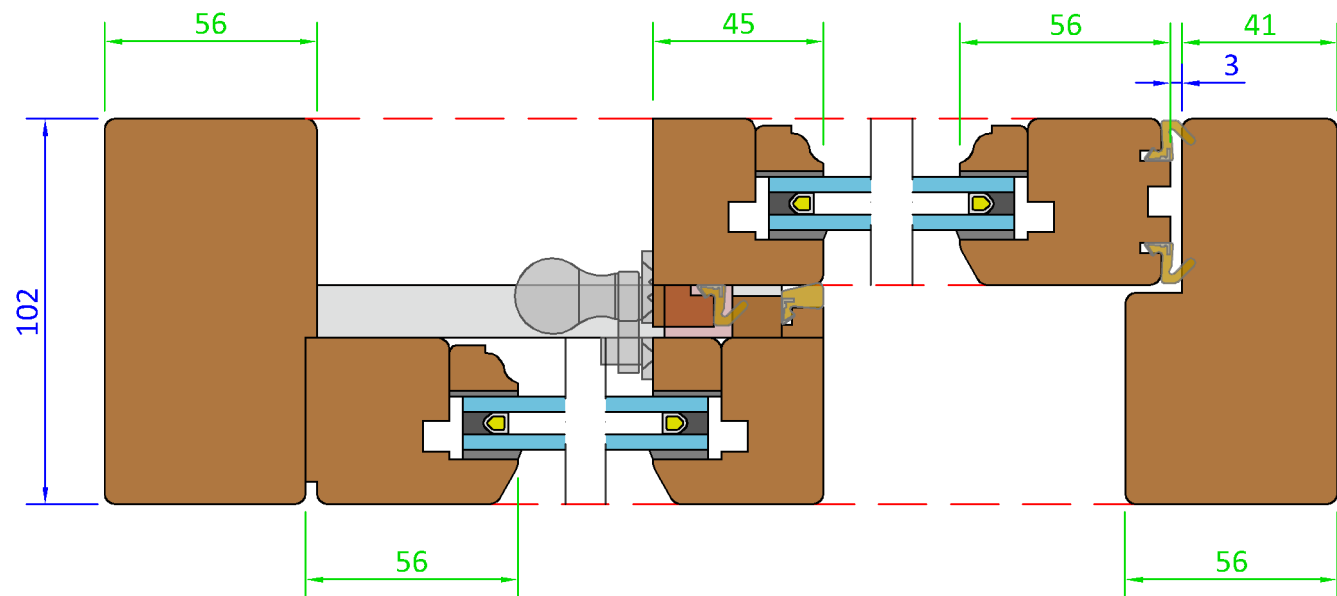
Outside View (Scale 1:15)



Inside View (Scale 1:15)

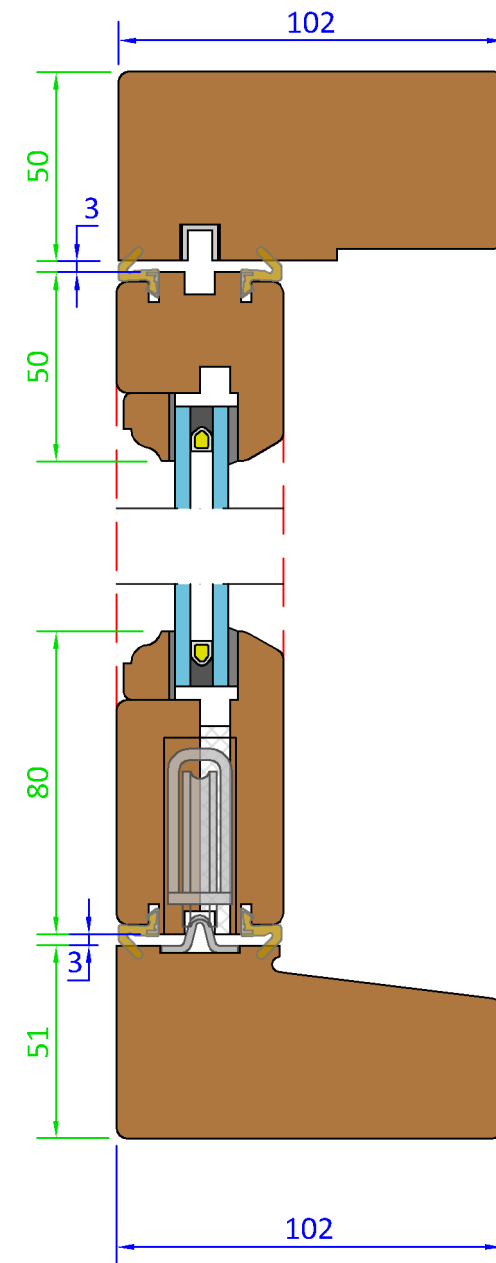


Section A-A - (Scale 1:2)

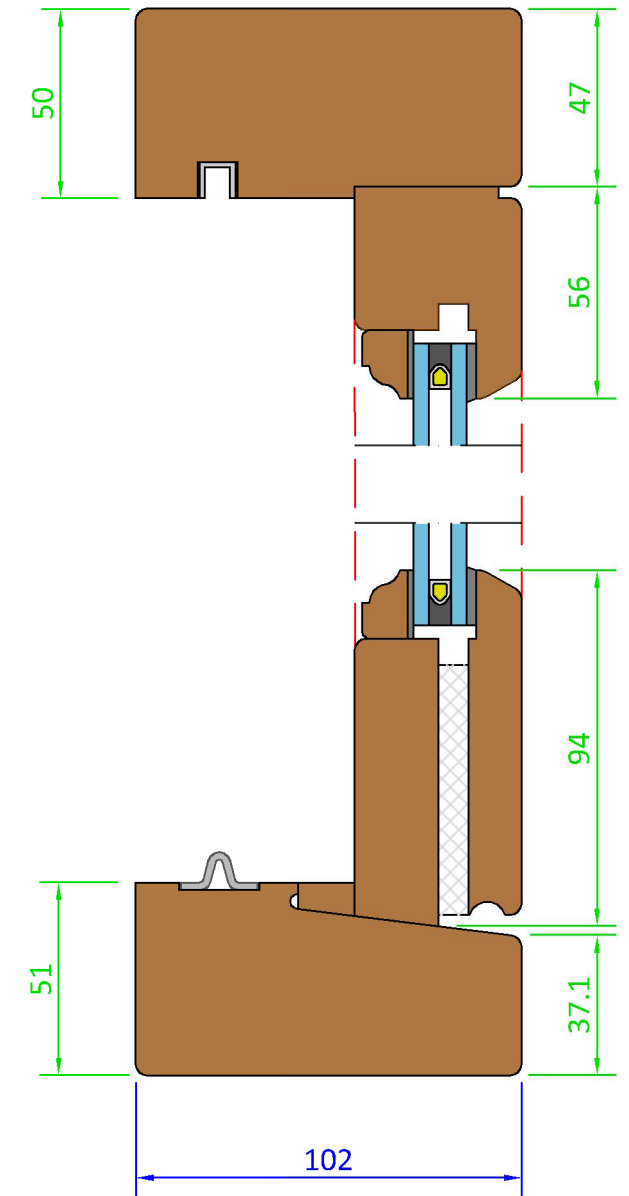


SECTIONS

Section B-B - Cill Detail (Scale 1:2)



Section C-C - (Scale 1:2)



— Variable Dimensions
(Dim shown is usually min)

— Fixed Dimensions

System: T-H1-102		
Title: Traditional - Horizontal Sash Window (44mm)		
Scale:	As Shown	Rev No: A
		Date: 10-Oct-17
Drawn By:	LH	Sheet No: 1
		Status: Released

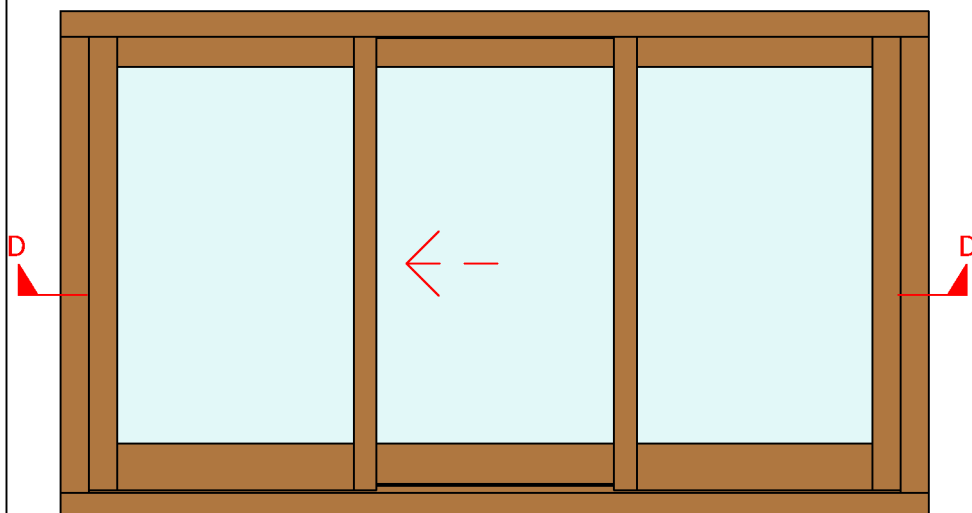
GEORGE BARNSDALE
Est. 1884

High Street, Donington, Spalding, Lincs, PE11 4TA
01775 823000
www.georgebarnsdale.co.uk

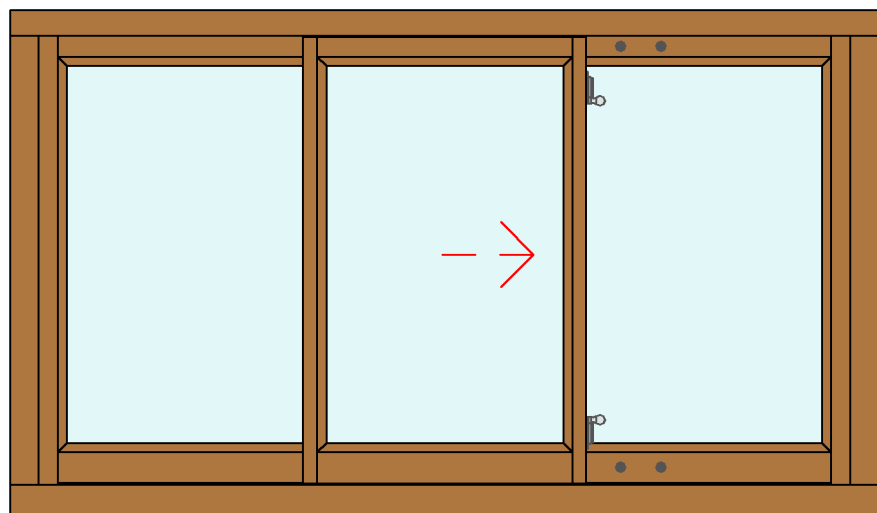
References: All tolerance are to George Barnsdale Standard Tolerance definitions (see suprtng document for more detail) unless stated on the drawing.
© George Barnsdale & Sons Ltd. All rights reserved. No part of this drawing may be reproduced without the permission of George Barnsdale & Son Ltd.

ELEVATIONS

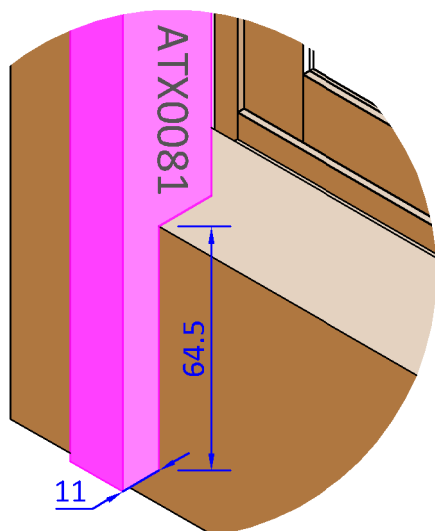
Outside View (Scale 1:15)



Inside View (Scale 1:15)

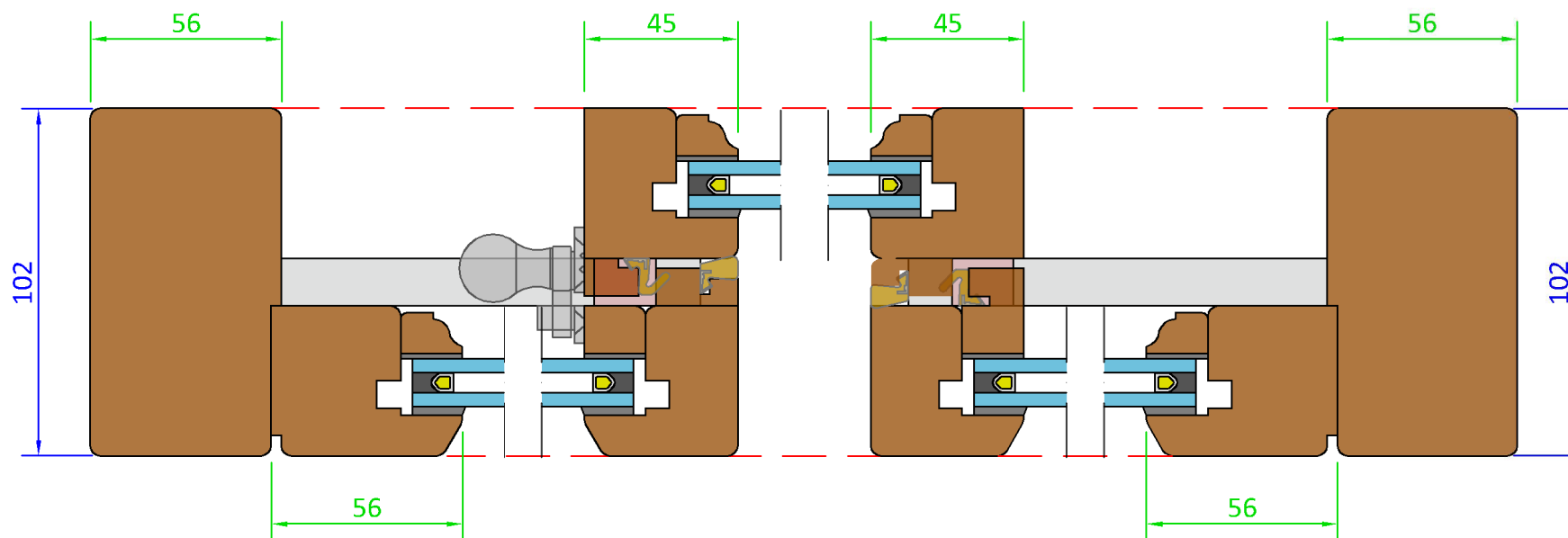


Fixed Sash Meeting Rail Strip detail - (Scale 1:2)



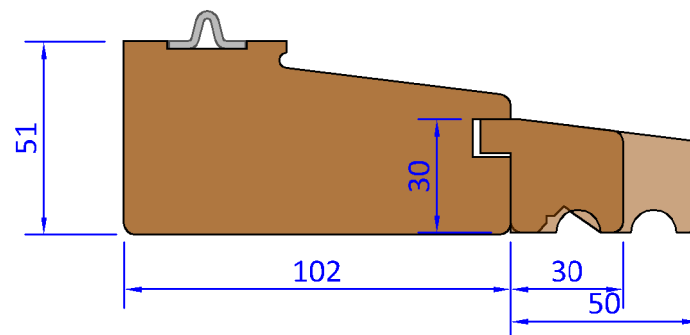
SECTIONS

Section D-D - (Scale 1:2)

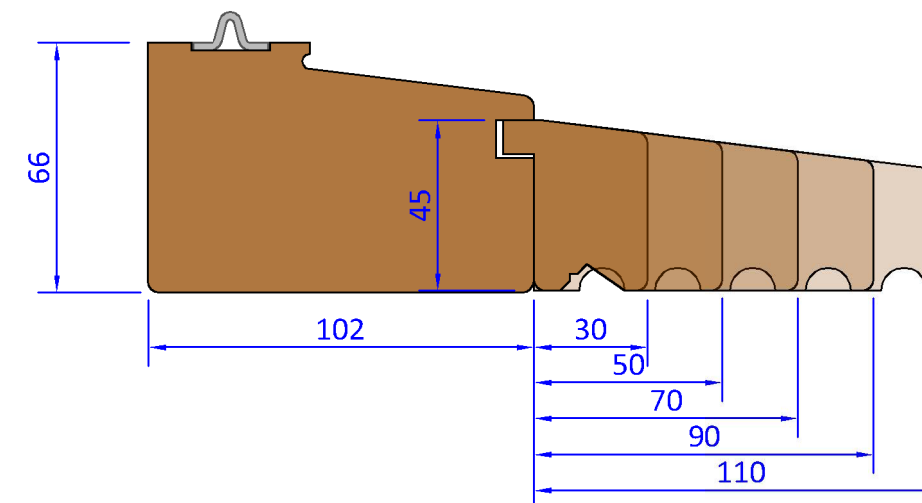


OPTIONS

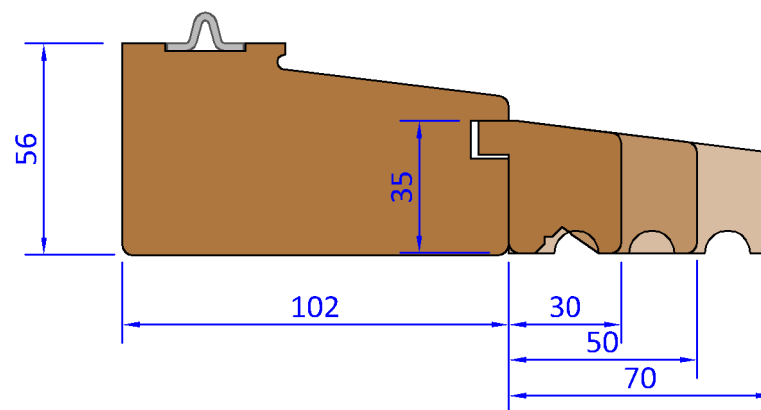
Cill Extension Option - 30mm - (Scale 1:2)



Cill Extension Option - 45mm - (Scale 1:2)



Cill Extension Option - 35mm - (Scale 1:2)



Variable Dimensions
(Dim shown is usually min)

Fixed Dimensions

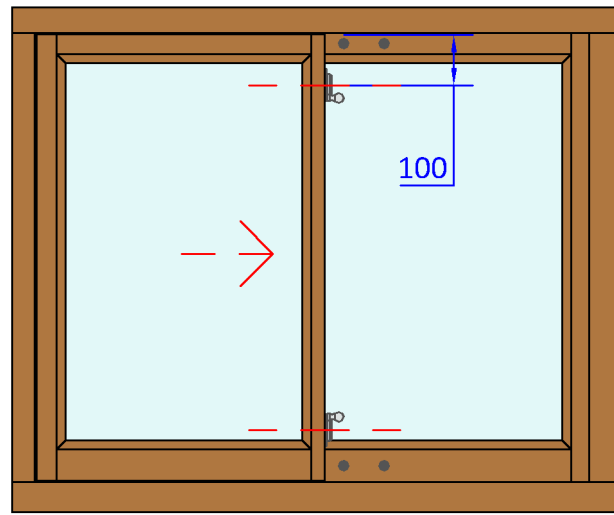
System: T-H1-102	
Title: Traditional - Horizontal Sash Window (44mm)	
Scale: As Shown	Rev No: A
Drawn By: LH	Sheet No: 2
Date: 10-Oct-17	Status: Released

GEORGE BARNSDALE
Est. 1884
High Street, Donington, Spalding, Lincs, PE11 4TA
01775 823000
www.georgebarnsdale.co.uk

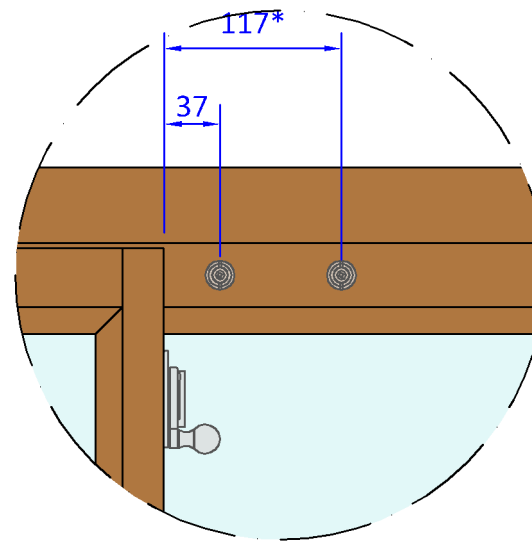
Perances: All tolerance are to George Barnsdale Standard Tolerance definitions (see suprtng document for more detail) unless stated on the drawing.
© George Barnsdale & Sons Ltd. All rights reserved. No part of this drawing may be reprinted without the permission of George Barnsdale & Son Ltd.

DETAILS

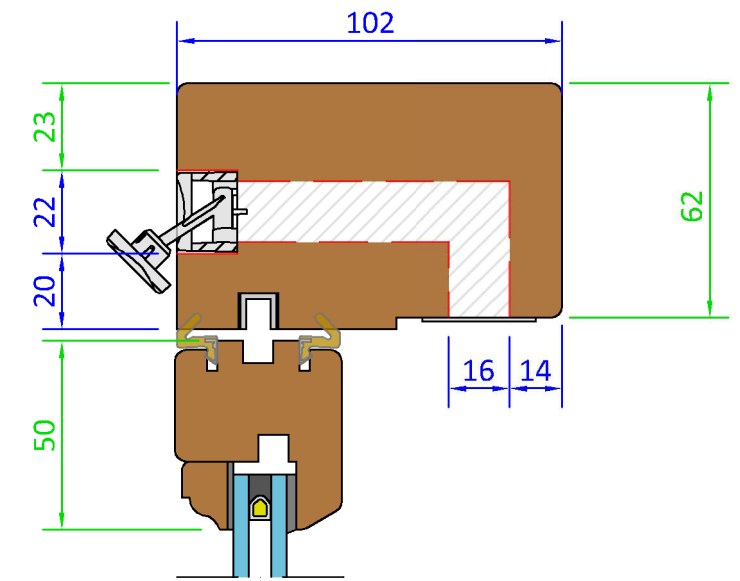
Scheme 'A' Inside View (Scale 1:15)



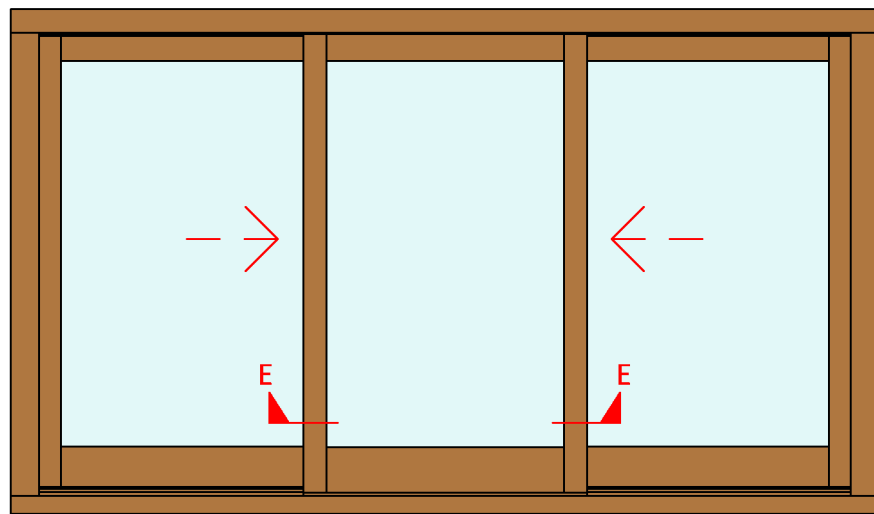
Sash Stop Option 'A' & 'K' - (Scale 1:5)



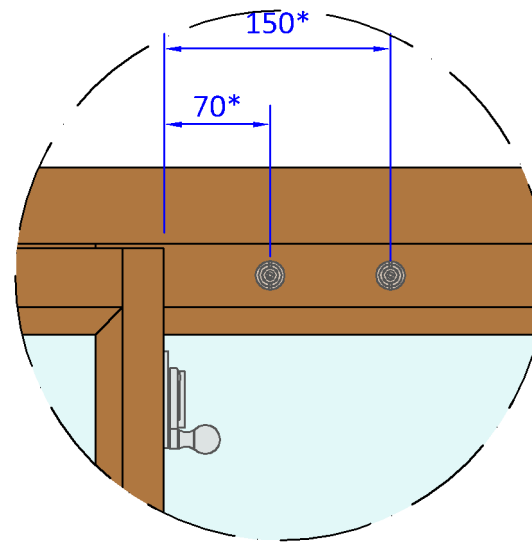
Vent Option - (Scale 1:2)



Scheme 'K' Outside View (Scale 1:15)



Sash Stop Option 'G' - (Scale 1:5)

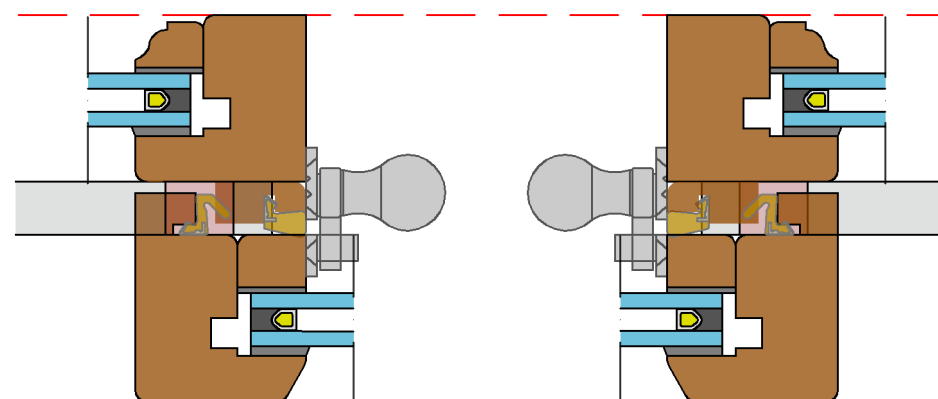


Fastener position as shown unless glazing bar requires alternative position which should then be positioned for best aesthetic by operator.

* Dimensions shown provide (100mm and 20mm respectively), ventilation openings at the side of the window

SECTIONS

Section E-E - (Scale 1:2)



Drainage System

Vent System

Variable Dimensions
(Dim shown is usually min)

Fixed Dimensions

System: T-H1-102			
Title: Traditional - Horizontal Sash Window (44mm)			
Scale:	As Shown	Rev No: A	Date: 10-Oct-17
Drawn By:	LH	Sheet No: 3	Status: Released

GEORGE BARNSDALE
Est. 1884
High Street, Donington, Spalding, Lincs, PE11 4TA
01775 823000
www.georgebarnsdale.co.uk