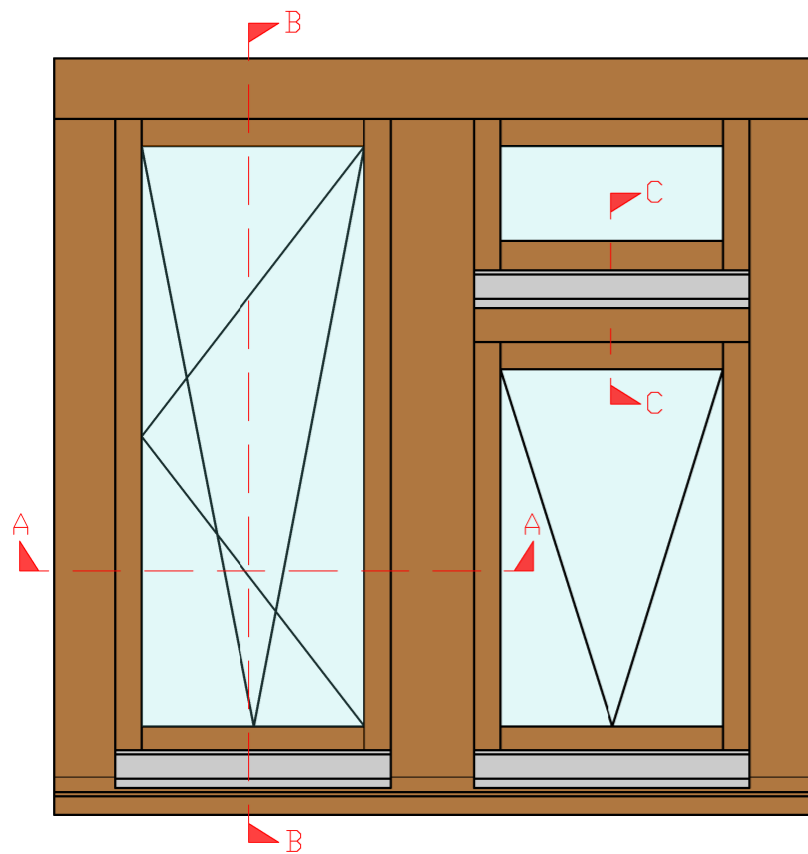
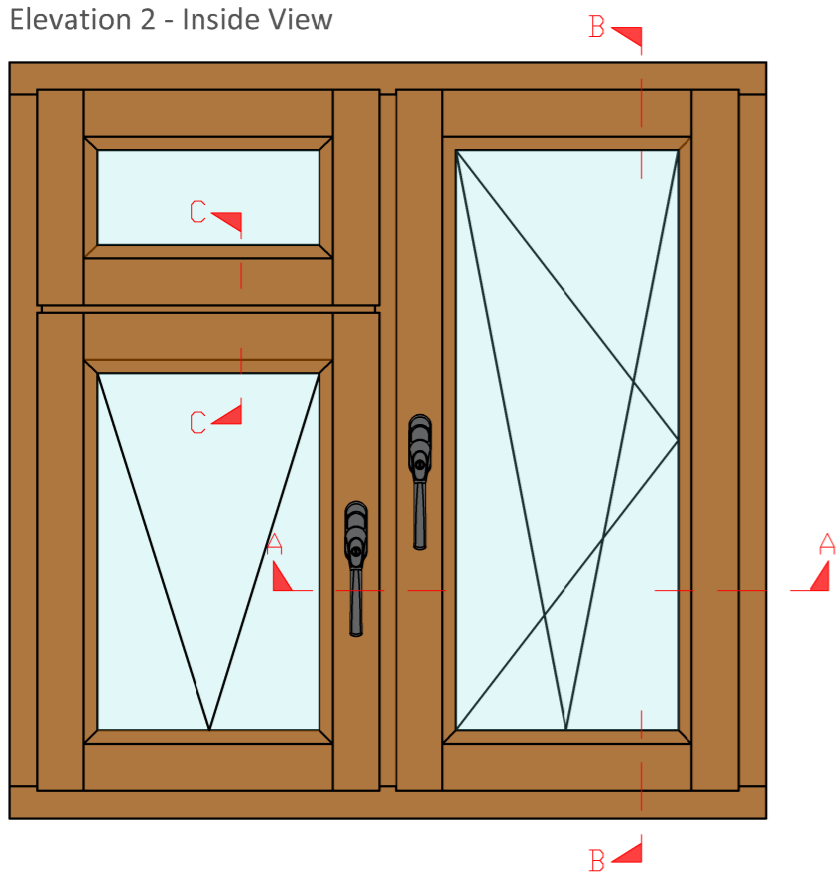


ELEVATIONS

Elevation 1 - Outside View

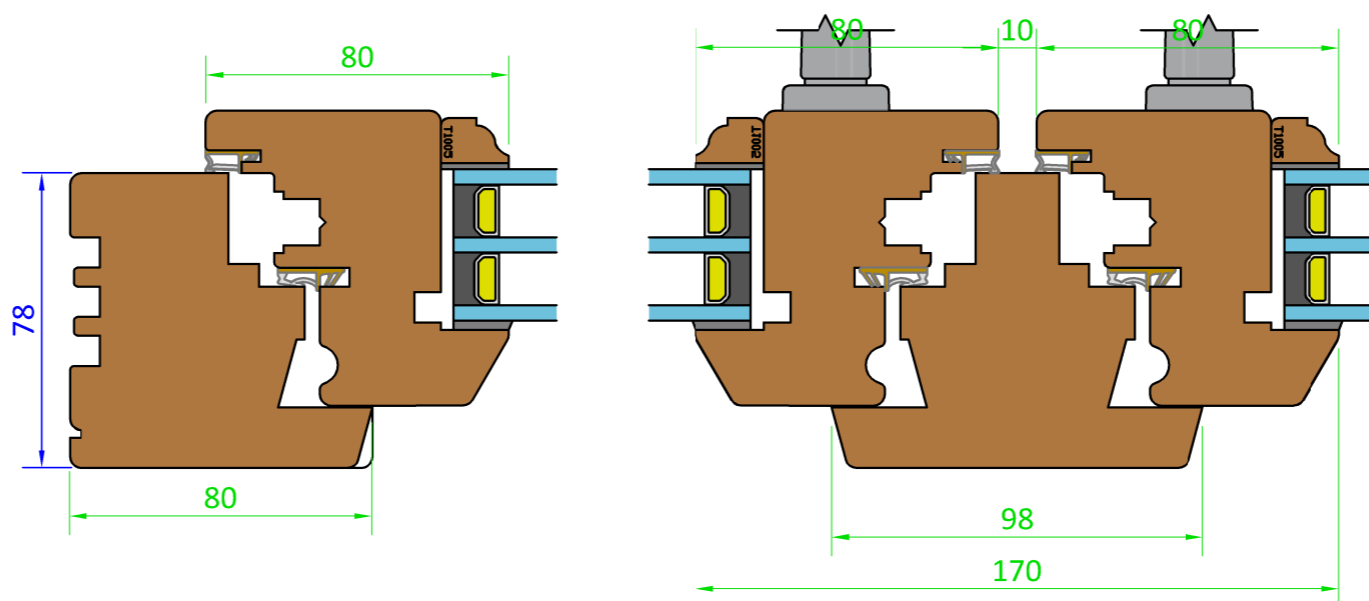


Elevation 2 - Inside View

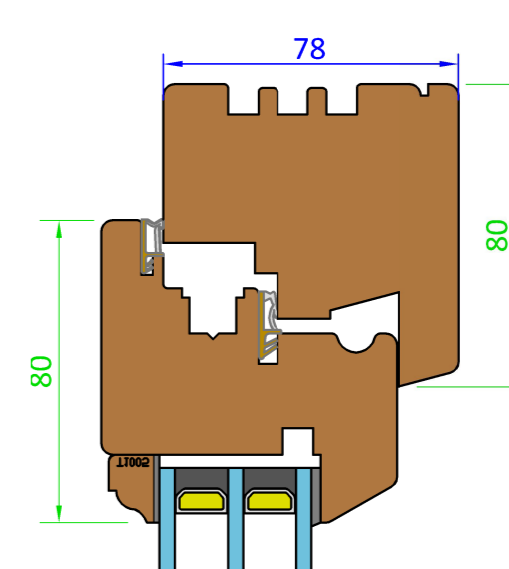


SECTIONS

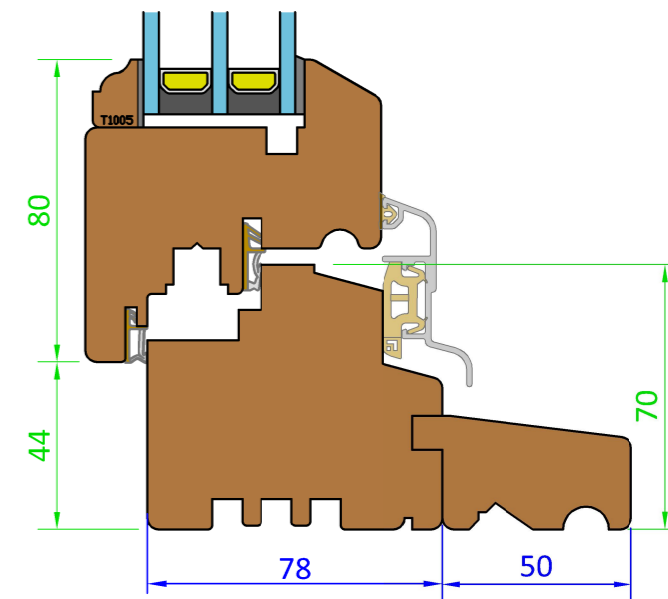
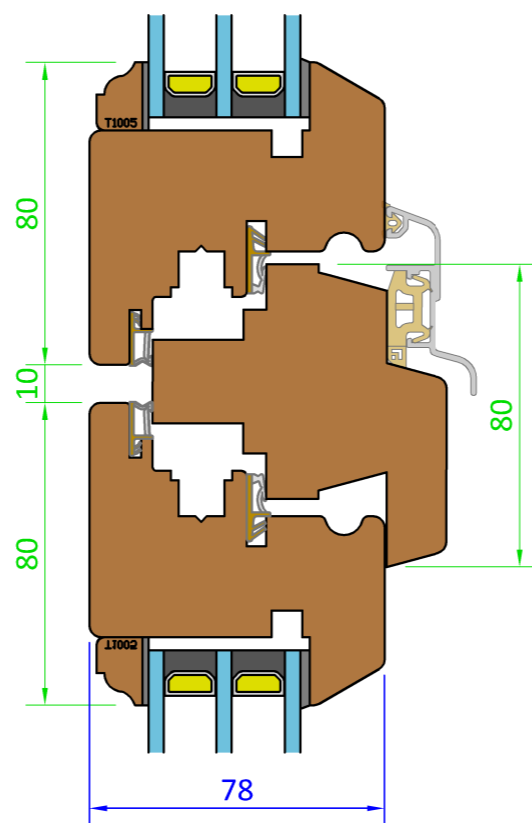
Section A-A - Jamb and mullion (Scale 1:2)



Section B-B - Head and Cill Detail



Section C-C - Transom (Scale 1:2)



Variable Dimensions
(Dim shown is usually min)

Fixed Dimensions

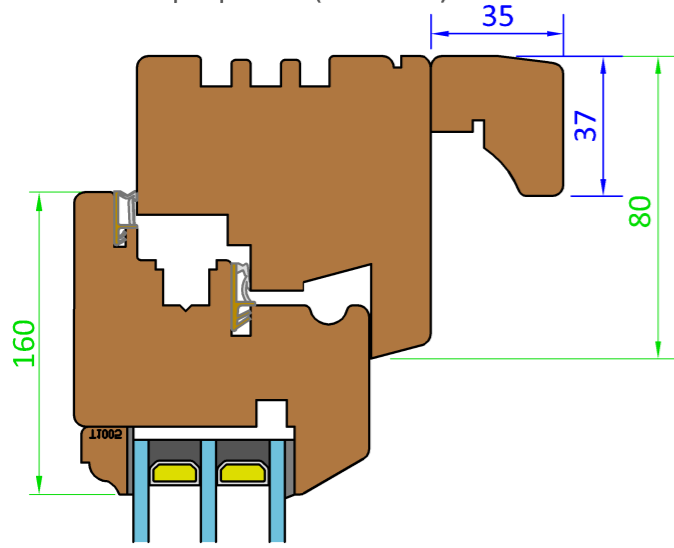
Tolerances: All tolerances are to George Barnsdale Standard Tolerance definitions (see supporting document for more detail) unless stated on the drawing.
© George Barnsdale & Sons Ltd. All rights reserved. No part of this drawing may be reproduced without the permission of George Barnsdale & Son Ltd.

System: T-E1-78-XX			
Title: Traditional - Tilt and Turn (78mm) Basic Sections			
Scale:	As Shown	Rev No: A	Date: 27/11/19
Drawn By:	CS	Sheet No: 1	Status: WIP

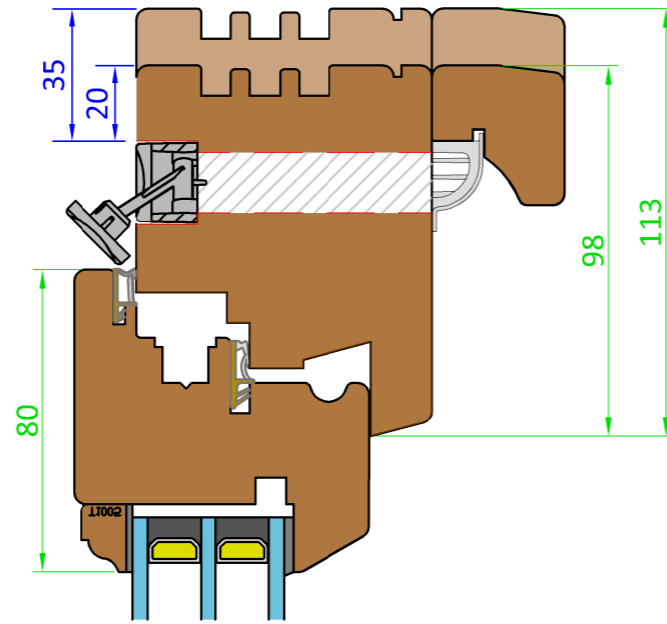
GEORGE BARNSDALE
Est. 1884
High Street, Dorington, Spalding, Lincs, PE11 4TA
01775 823000
www.georgebarnsdale.co.uk

FRAME OPTIONS

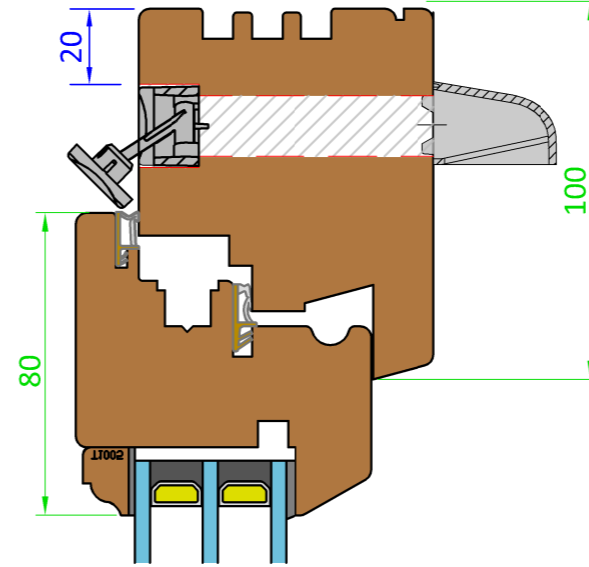
Head Drip Option - (Scale 1:2)



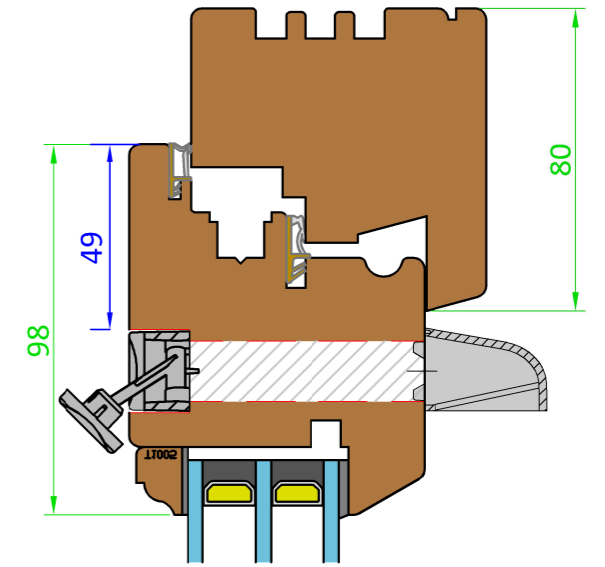
Standard Frame Vent - (Scale 1:2)



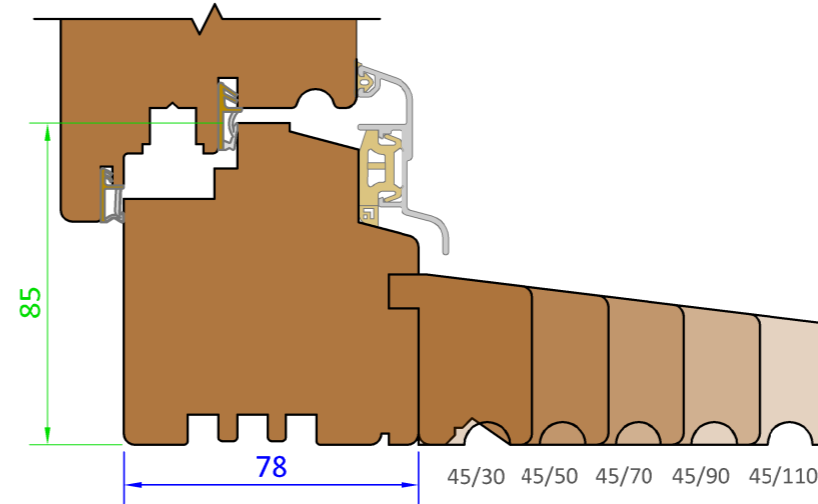
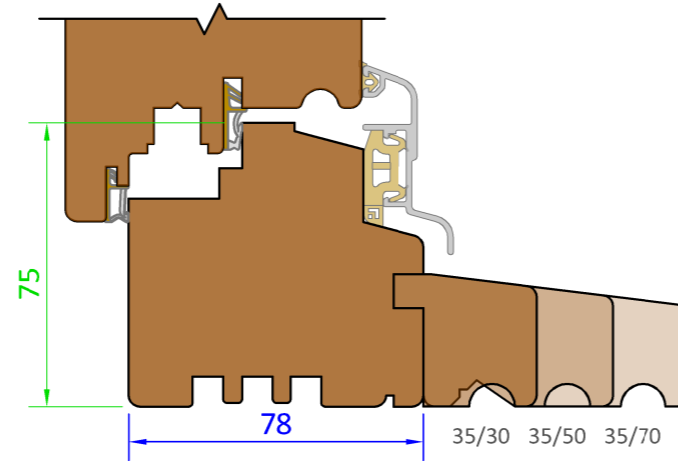
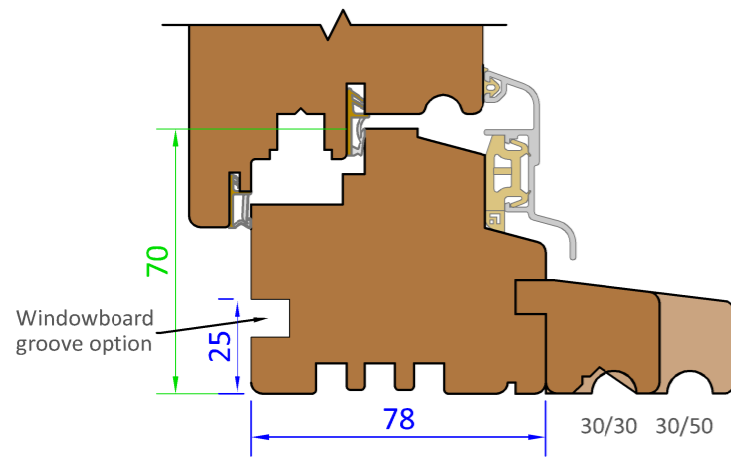
Frame Vent Canopy Option - (Scale 1:2)



Sash Vent Canopy Option (Scale 1:2)



Cill Extension Options - (Scale 1:2)



Variable Dimensions
(Dim shown is usually min)

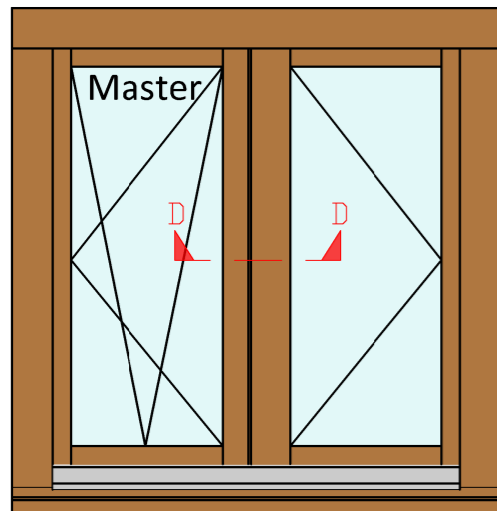
Fixed Dimensions

Tolerances: All tolerances are to George Barnsdale Standard Tolerance definitions (see supporting document for more detail) unless stated on the drawing.
© George Barnsdale & Sons Ltd. All rights reserved. No part of this drawing may be reproduced without the permission of George Barnsdale & Son Ltd.

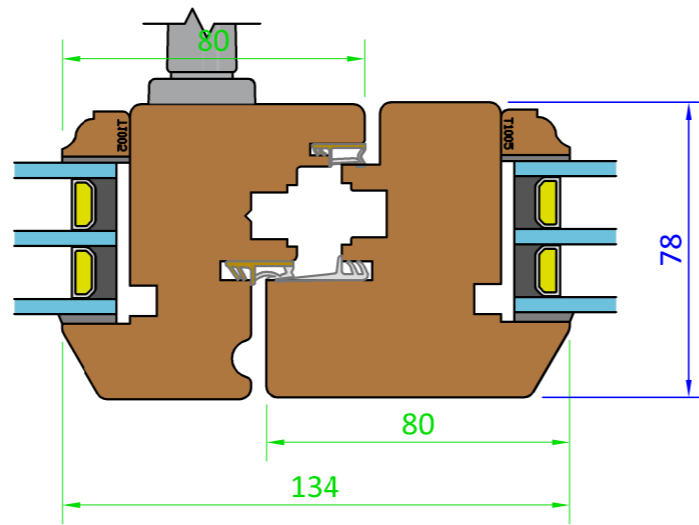
System: T-E1-78-XX		
Title: Traditional - Tilt and Turn (78mm) Vents & Cills		
Scale: As Shown	Rev No: A	Date: 27/11/19
Drawn By: CS	Sheet No: 2	Status: WIP

GEORGE BARNSDALE
Est. 1884
High Street, Dorington, Spalding, Lincs, PE11 4TA
01775 823000
www.georgebarnsdale.co.uk

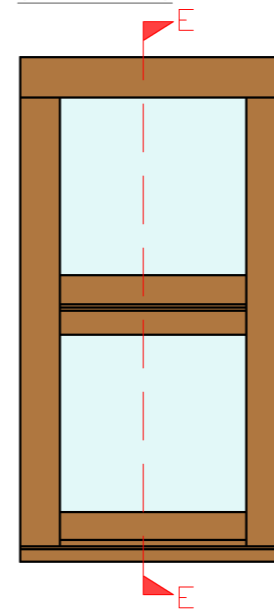
French Meeting Elevation -
(Scale 1:15)



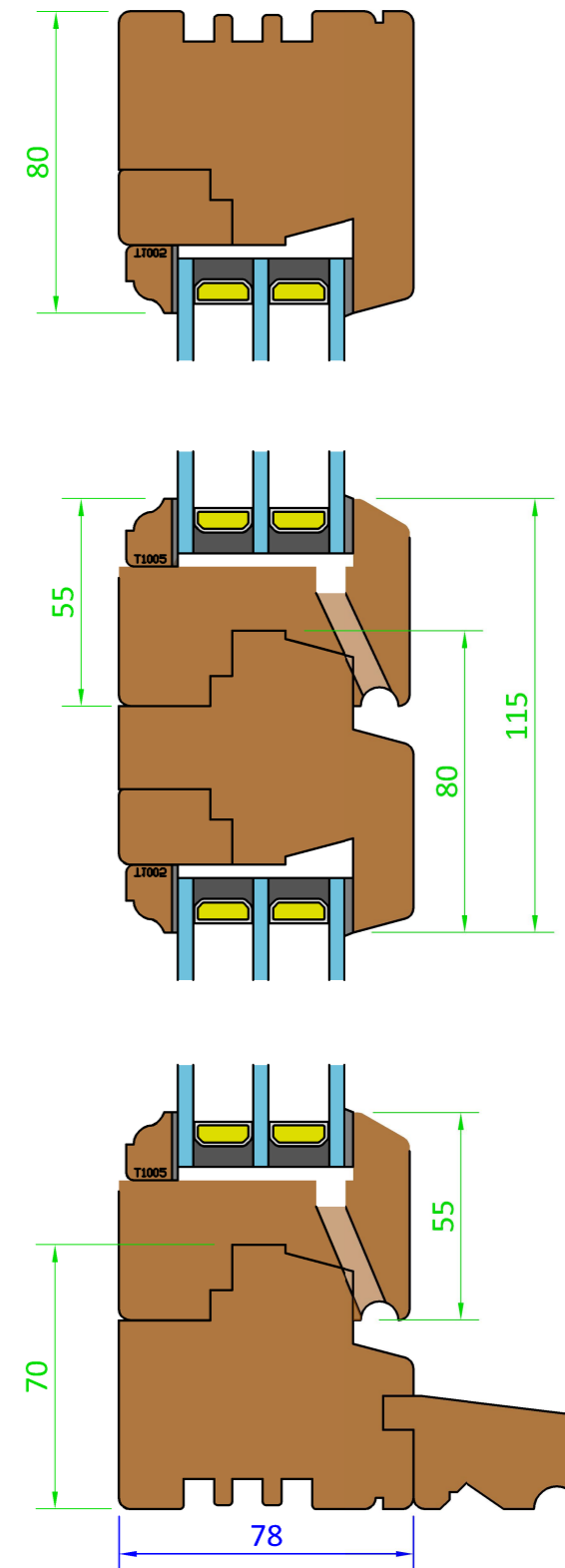
French Window - Section D-D
(Scale 1:2)



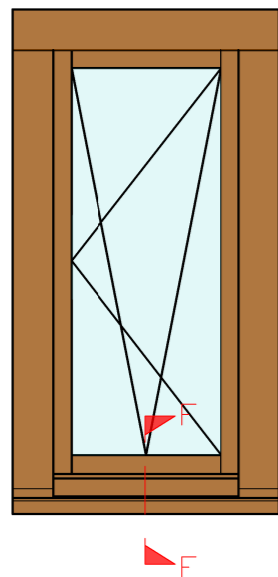
Direct Glazed Elevation -
(Scale 1:15)



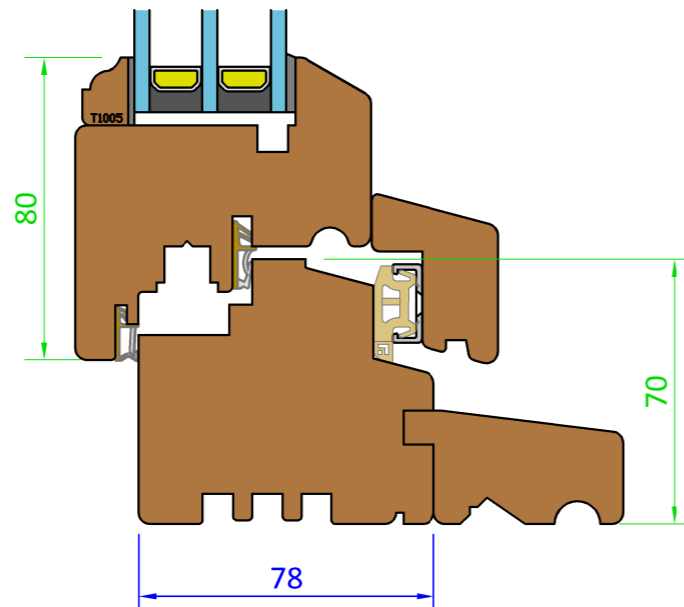
Direct Glazed Frame Option-
Section E-E (Scale 1:2)



Timber Drip Option
(Scale 1:15)

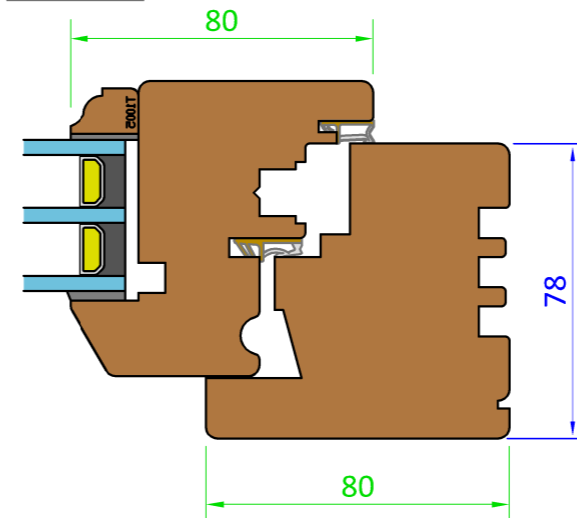


Timber Drip - Section F-F
(Scale 1:2)



Timber drip is only used with the Pencil Round frame option

Pencil Round Frame Profile
(Scale 1:2)



Variable Dimensions
(Dim shown is usually min)

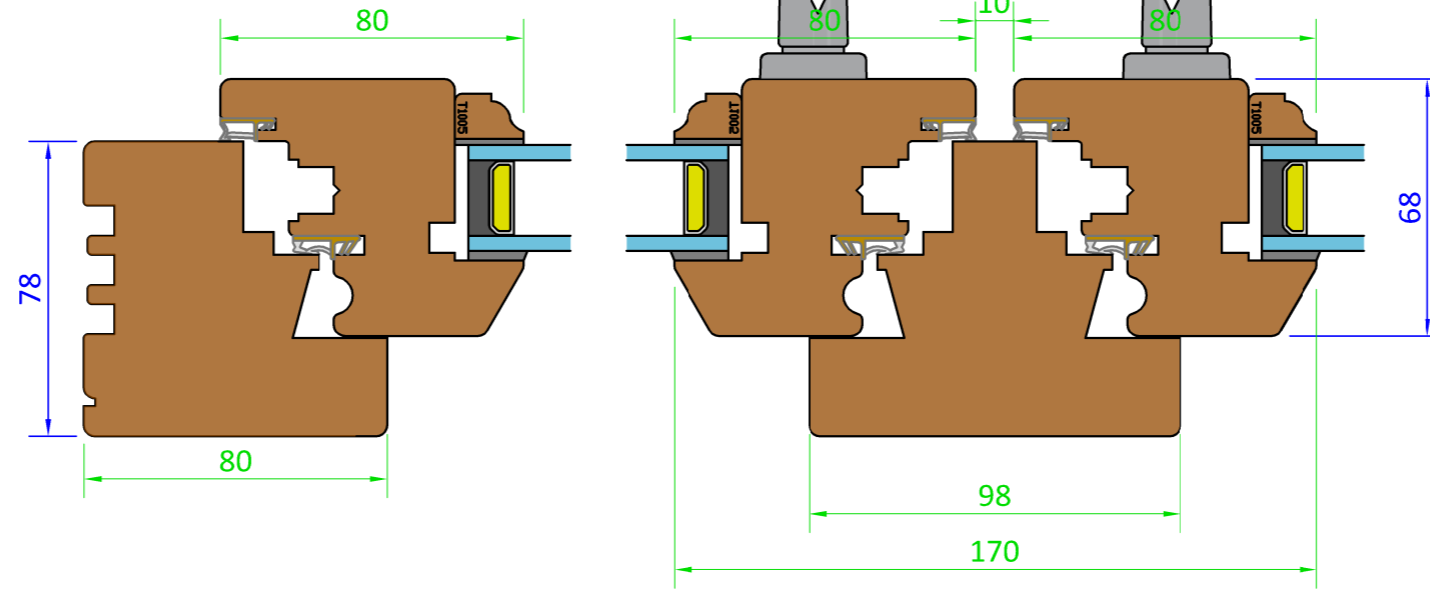
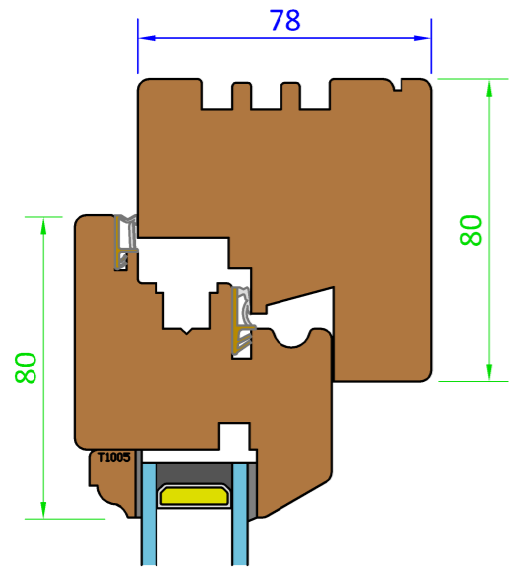
Fixed Dimensions

Tolerances: All tolerances are to George Barnsdale Standard Tolerance definitions (see supporting document for more detail) unless stated on the drawing.
© George Barnsdale & Sons Ltd. All rights reserved. No part of this drawing may be reproduced without the permission of George Barnsdale & Son Ltd.

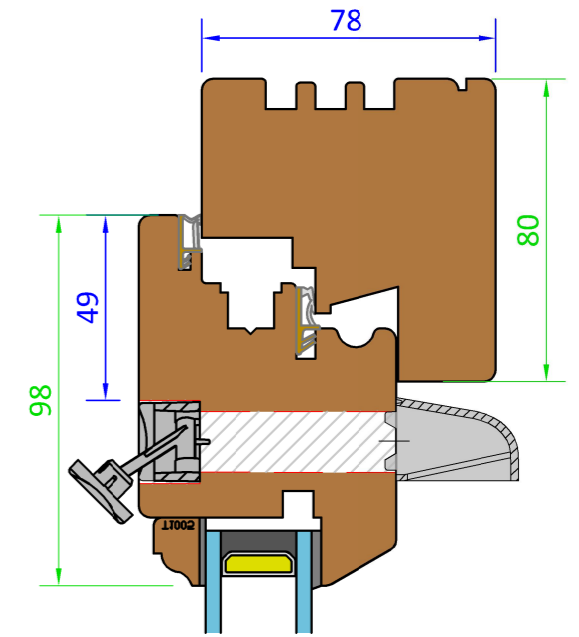
System: T-E1-78-XX			
Title: Traditional - Tilt and Turn (78mm) French & Direct Glazed			
Scale:	As Shown	Rev No: A	Date: 27/11/19
Drawn By:	CS	Sheet No: 3	Status: WIP

GEORGE BARNSDALE
Est. 1884
High Street, Dorington, Spalding, Lincs, PE11 4TA
01775 823000
www.georgebarnsdale.co.uk

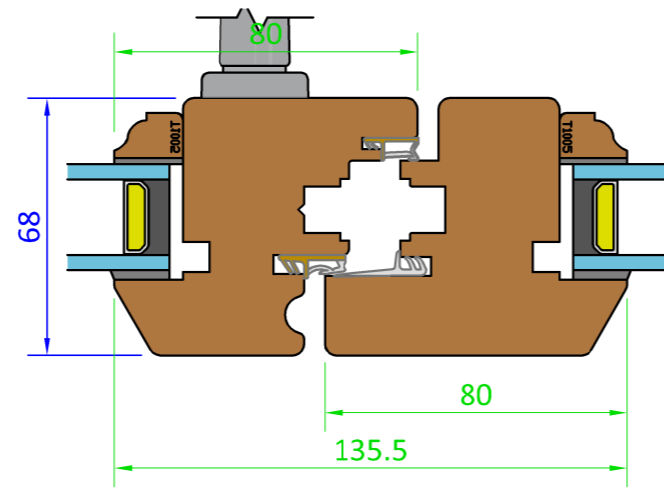
78mm Frame with 68mm Sash Detail
(Scale 1:2)



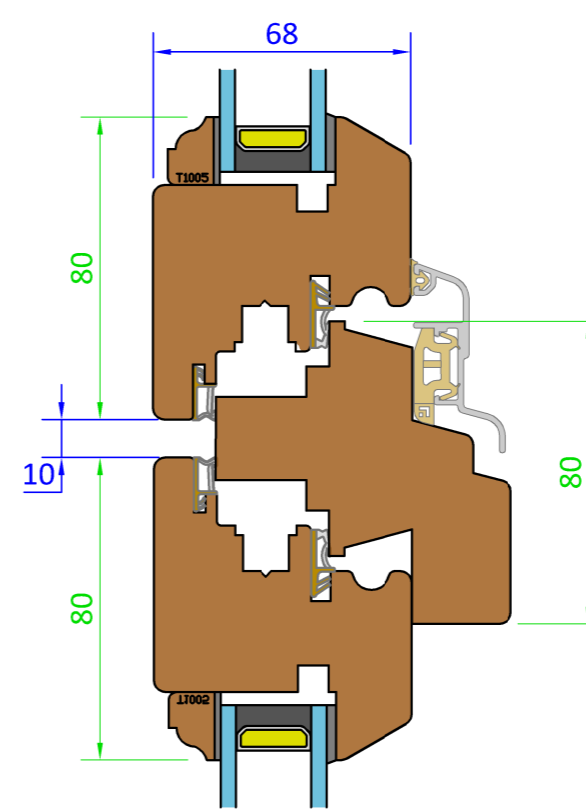
68mm Sash Vent Option
(Scale 1:2)



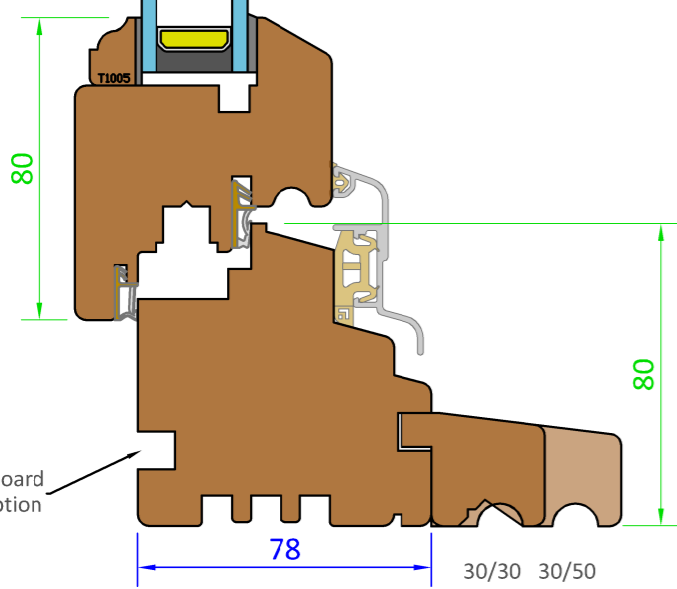
68mm French Meeting
Rail Option (Scale 1:2)



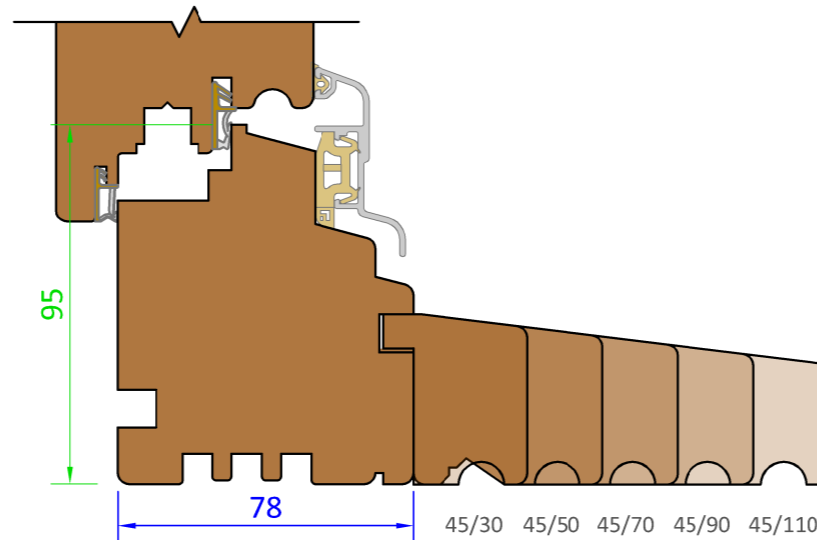
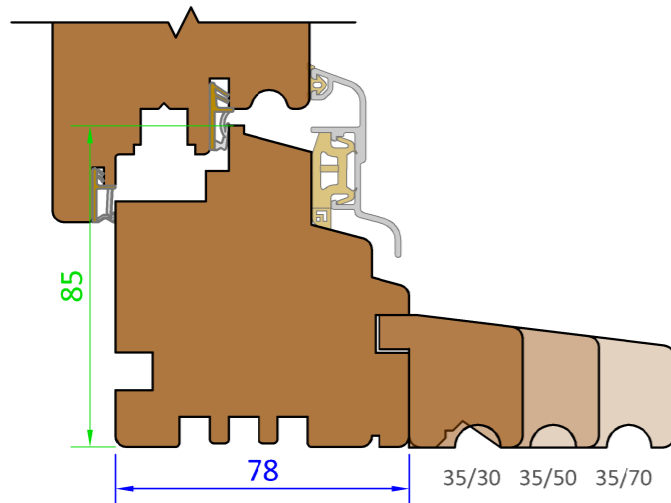
68mm Transom Option
(Scale 1:2)



Windowboard
groove option



Cill Extension Options
(Scale 1:2)



Variable Dimensions
(Dim shown is usually min)

Fixed Dimensions

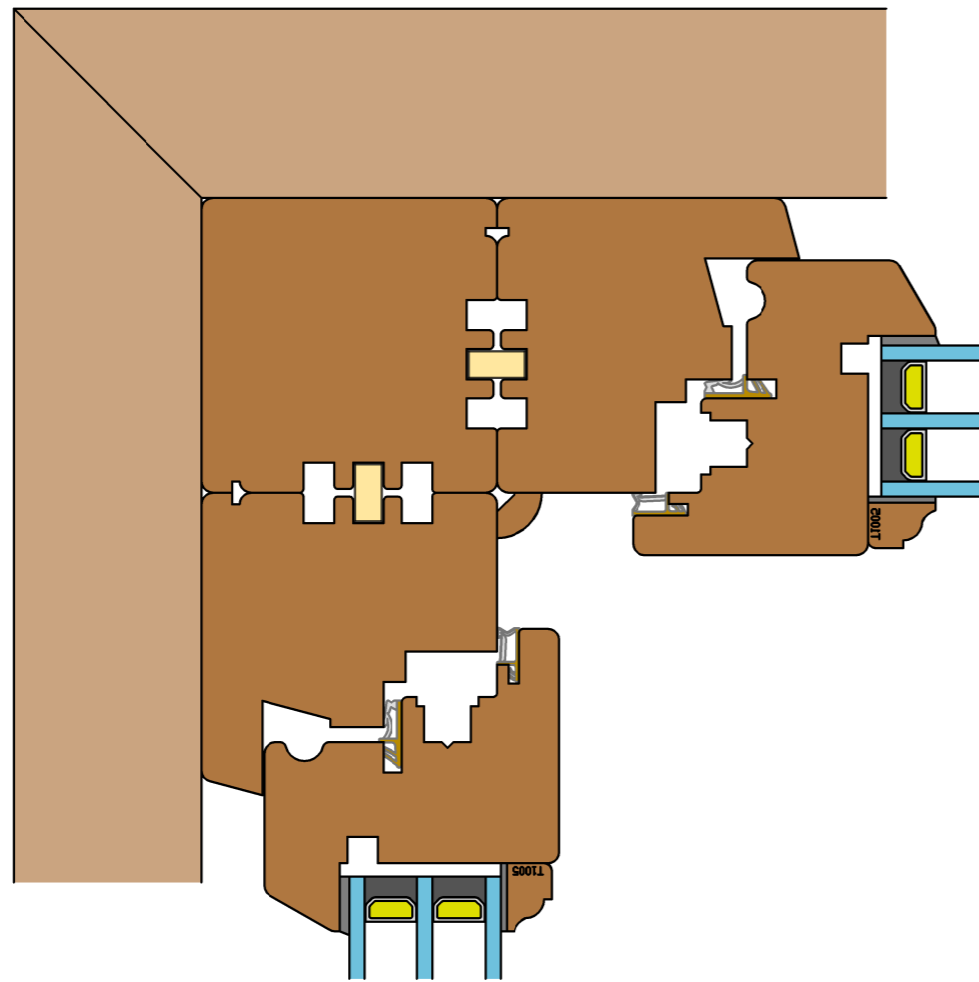
Tolerances: All tolerances are to George Barnsdale Standard Tolerance definitions (see supporting document for more detail) unless stated on the drawing.
© George Barnsdale & Sons Ltd. All rights reserved. No part of this drawing may be reproduced without the permission of George Barnsdale & Son Ltd.

System: T-E1-78-XX			
Title: Traditional - Tilt and Turn (78mm) 68mm Sash Option			
Scale:	As Shown	Rev No: A	Date: 27/11/19
Drawn By:	CS	Sheet No: 4	Status: WIP

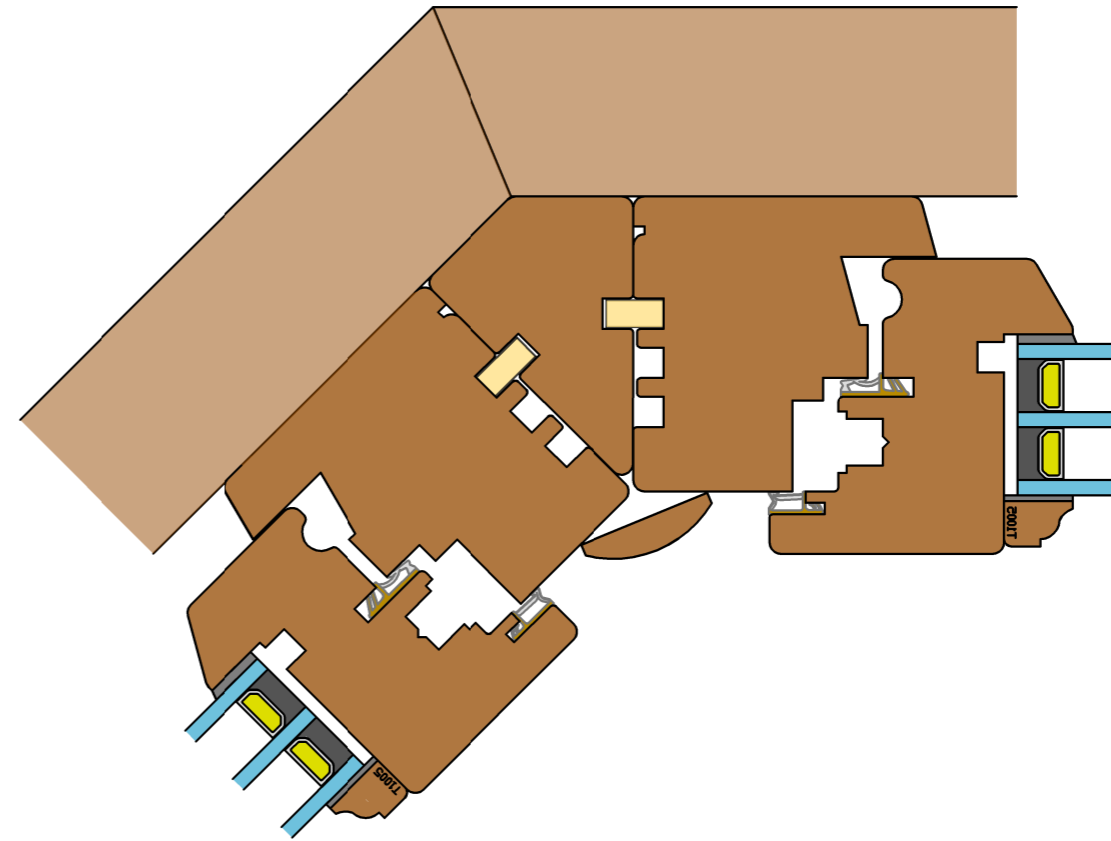
**GEORGE
BARNSDALE**
Est. 1884
High Street, Dorington, Spalding, Lincs, PE11 4TA
01775 823000
www.georgebarnsdale.co.uk

Bay Connection Details - (Scale 1:2)

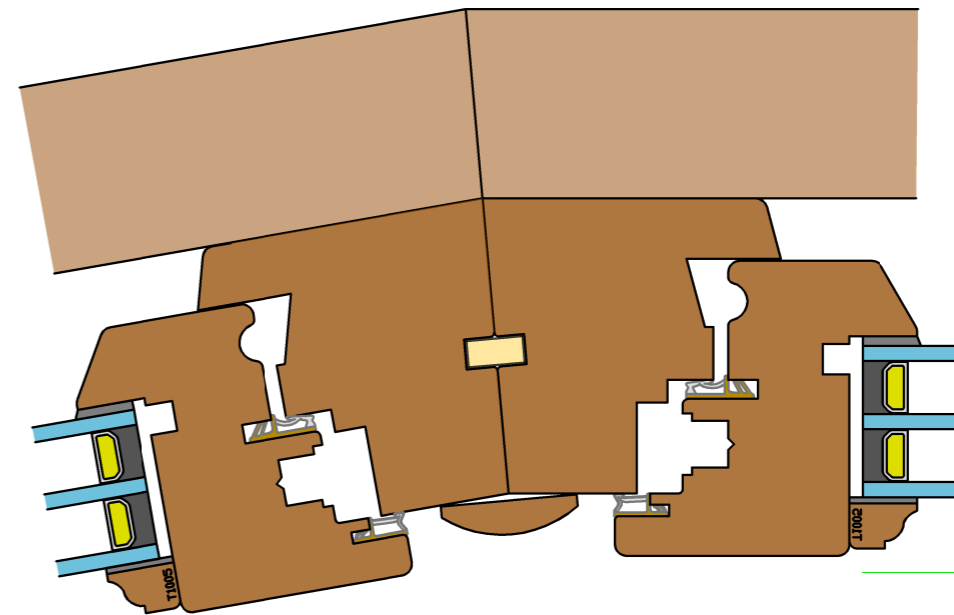
90° Corner Post



91-155° Angled Corner Post



156-179° Segmented Bay



Variable Dimensions
(Dim shown is usually min)

Fixed Dimensions

Tolerances: All tolerances are to George Barnsdale Standard Tolerance definitions (see supporting document for more detail) unless stated on the drawing.
© George Barnsdale & Sons Ltd. All rights reserved. No part of this drawing may be reproduced without the permission of George Barnsdale & Son Ltd.

System: T-E1-78-XX			
Title: Traditional - Tilt and Turn (78mm) Bay Details			
Scale:	As Shown	Rev No: A	Date: 27/11/19
Drawn By:	CS	Sheet No: 5	Status: WIP

GEORGE BARNSDALE
Est. 1884
High Street, Dorington, Spalding, Lincs, PE11 4TA
01775 823000
www.georgebarnsdale.co.uk