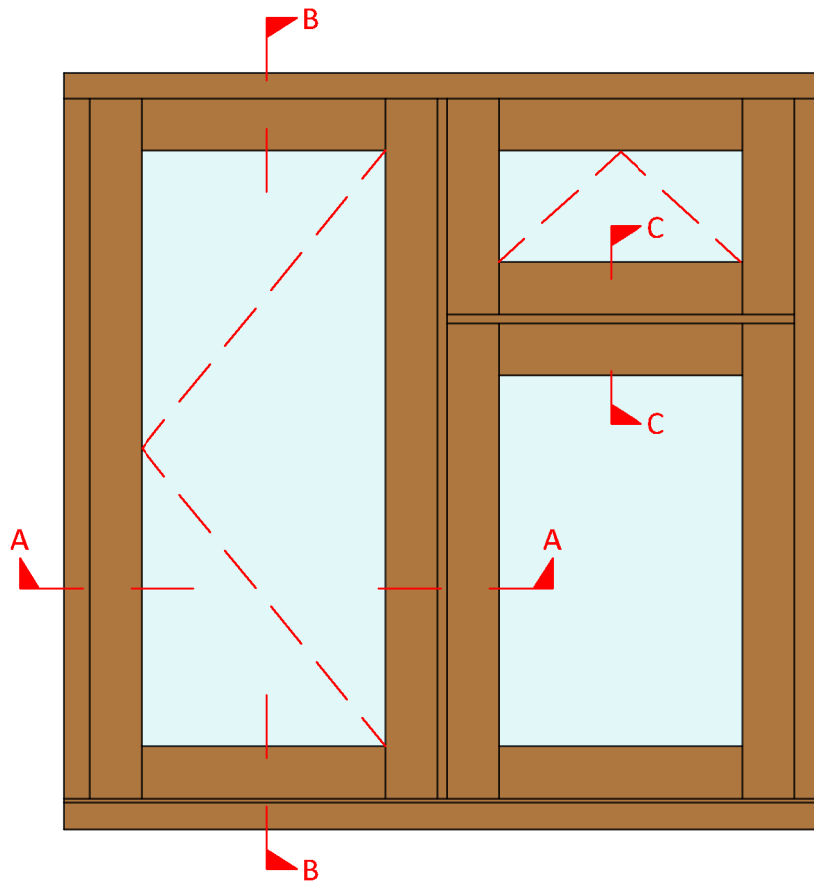
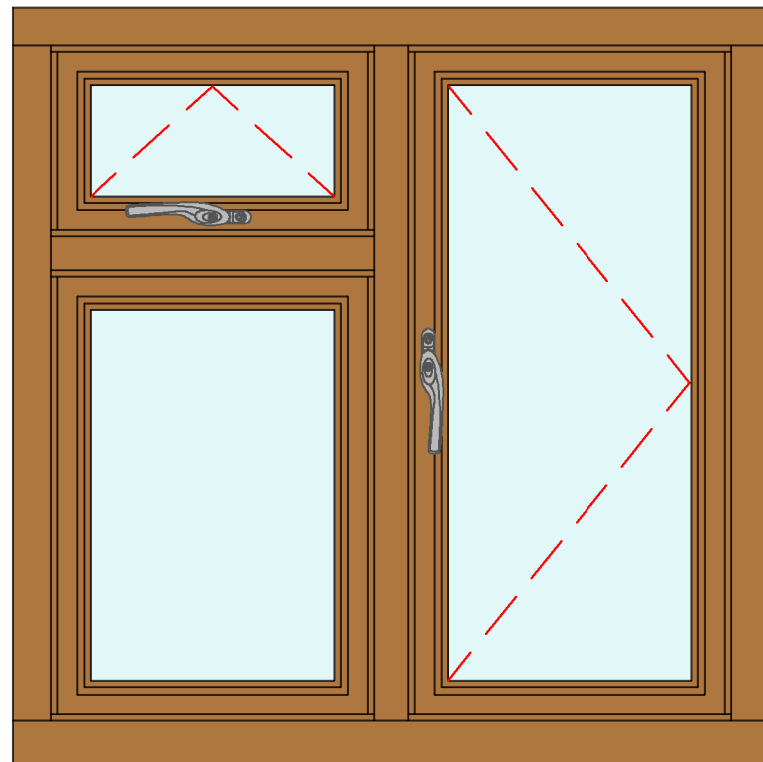


ELEVATIONS

Elevation 1 - Outside View (Scale 1:10)

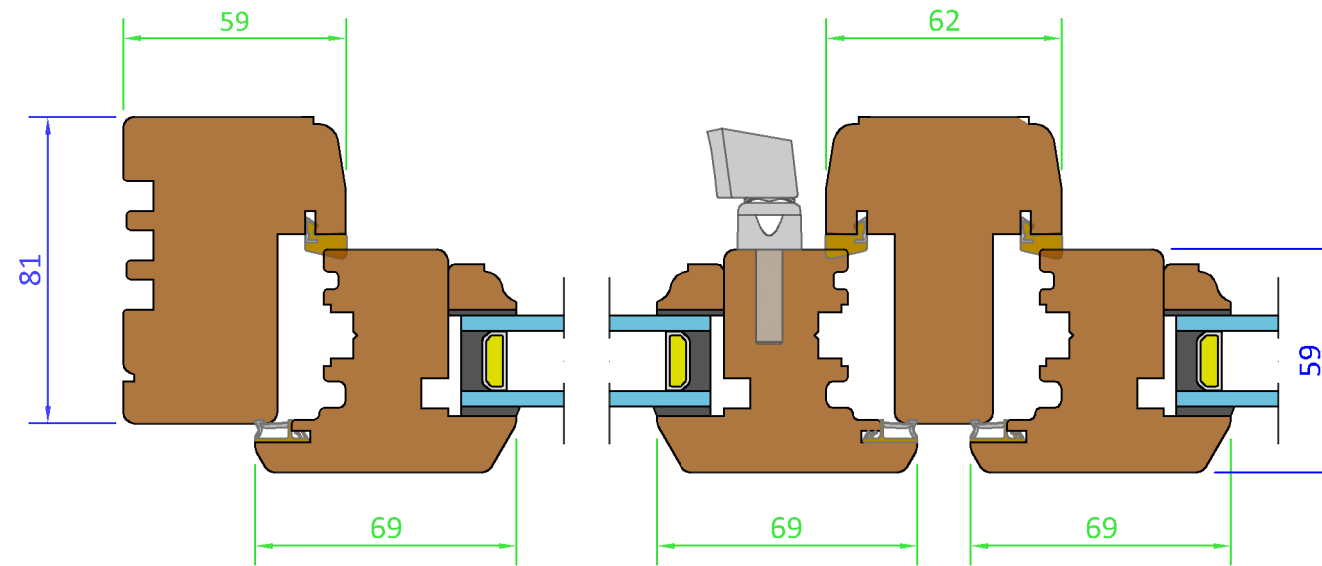


Elevation 2 - Inside View (Scale 1:10)

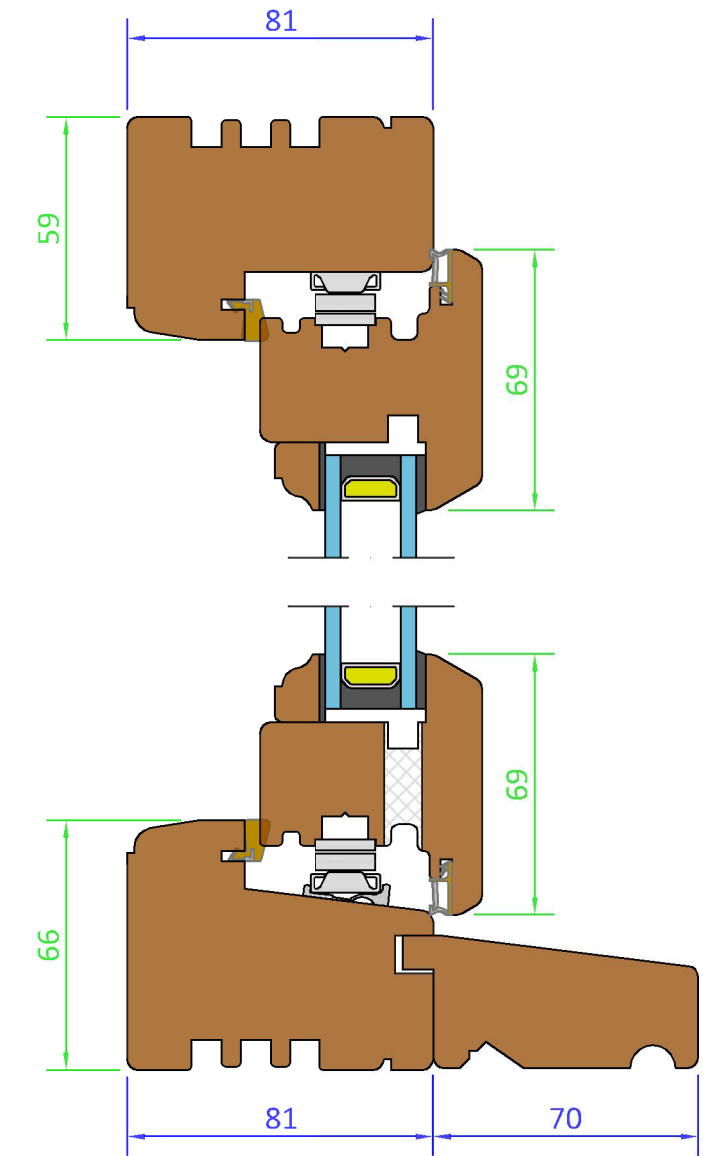


SECTIONS

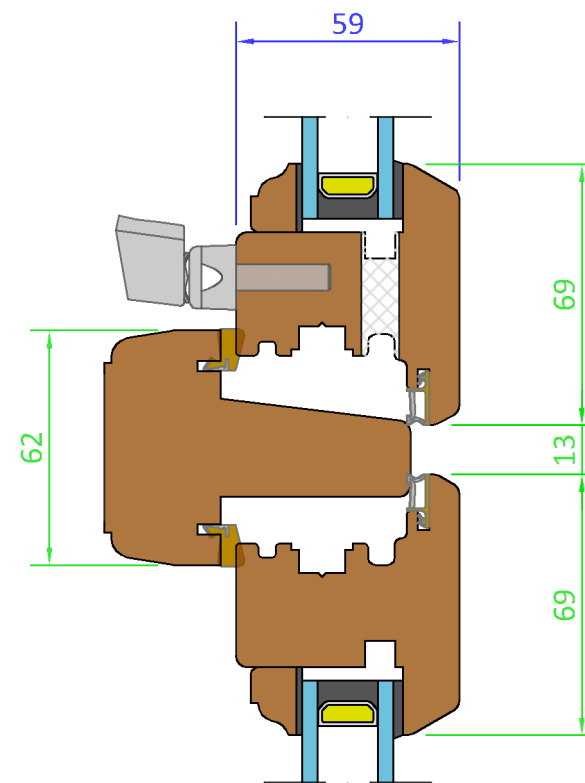
Section A-A - Jamb and mullion (Scale 1:2)




Section B-B - Head and cill (Scale 1:2)



Section C-C - Transom (Scale 1:2)



 Drainage System

 Variable Dimensions
(Dim shown is usually min)

 Fixed Dimensions

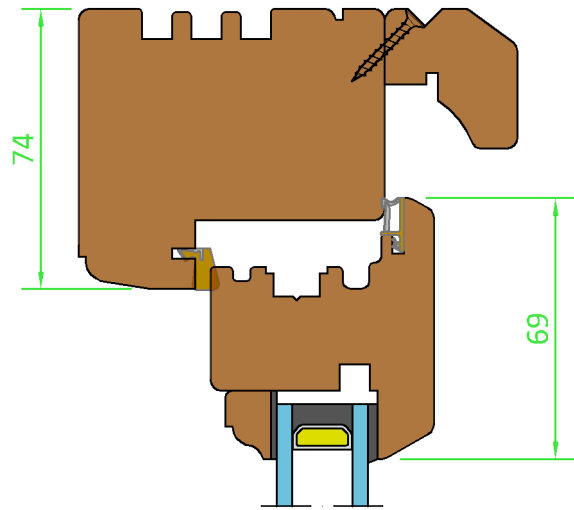
Tolerances: All tolerances are to George Barnsdale Standard Tolerance definitions (see supporting document for more detail) unless stated on the drawing.
© George Barnsdale & Sons Ltd. All rights reserved. No part of this drawing may be reproduced without the permission of George Barnsdale & Son Ltd.

System: T-C1-81-59		
Title: Traditional - Stormproof Casement Window		
Scale:	As Shown	Rev No: B
		Date: 9-Mar-18
Drawn By:	LH	Sheet No: 1
		Status: Released

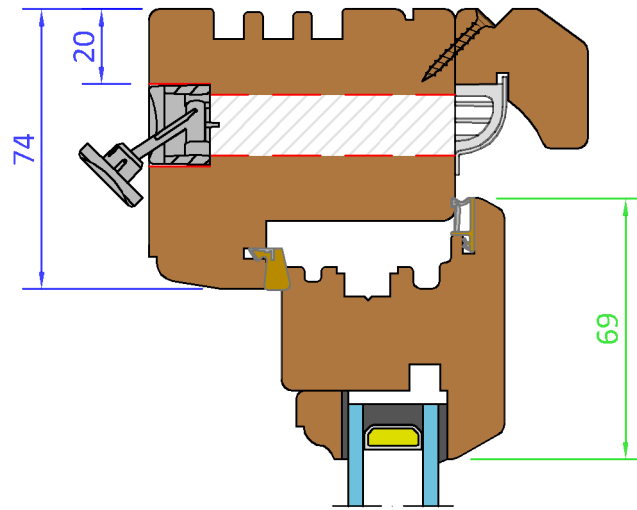
GEORGE BARNSDALE
Est. 1884
High Street, Donington, Spalding, Lincs, PE11 4TA
01775 823000
www.georgebarnsdale.co.uk

FRAME AND SASH OPTIONS

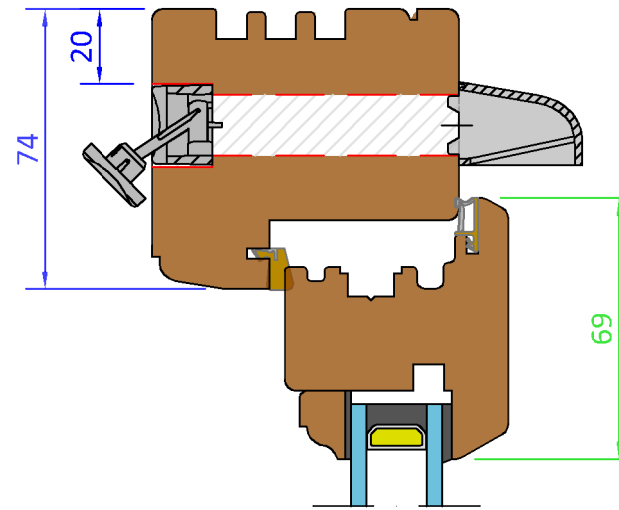
Head Drip Option - (Scale 1:2)



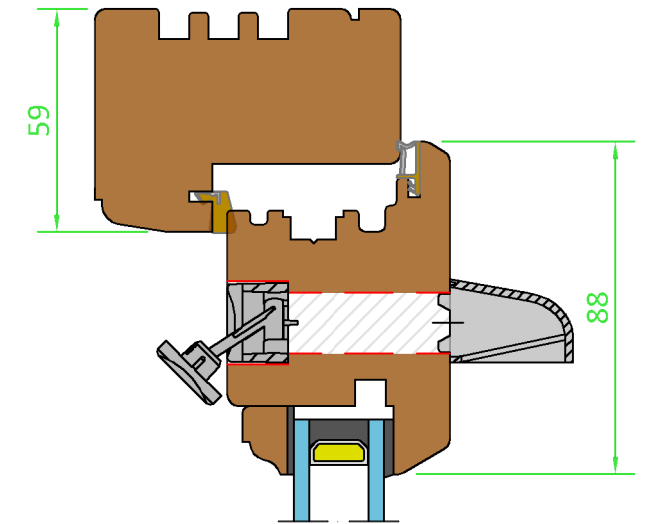
Frame Vent (Slide In/Grill Out) - (Scale 1:2)



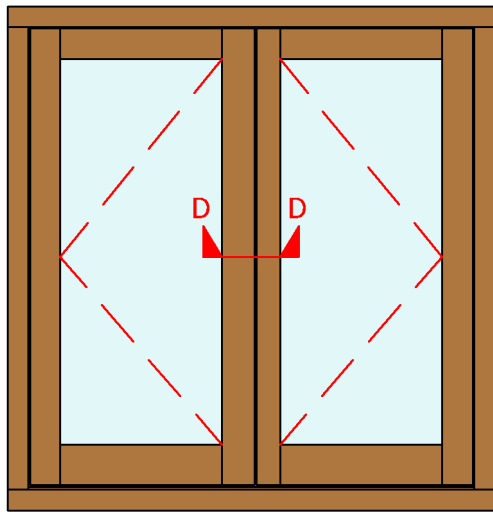
Frame Vent (Slide In/Canopy Out) - (Scale 1:2)



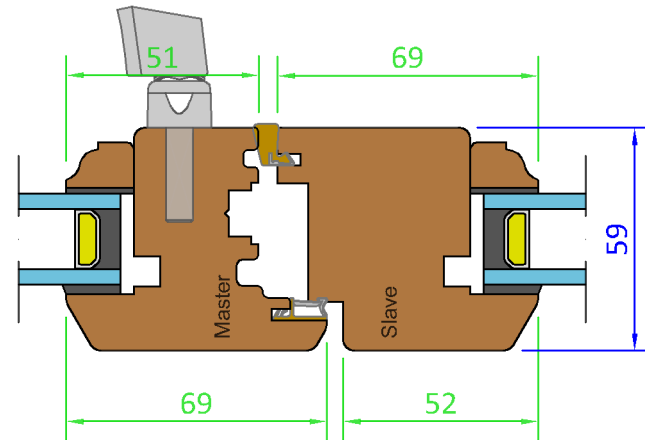
Sash Vent (Slide In/Canopy Out) - (Scale 1:2)



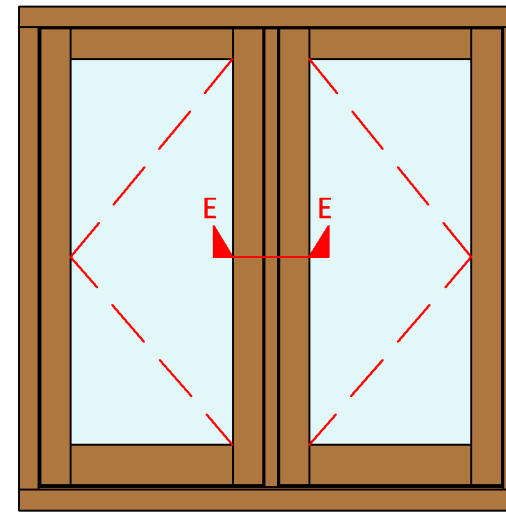
French Meeting Elevation - (Scale 1:15)



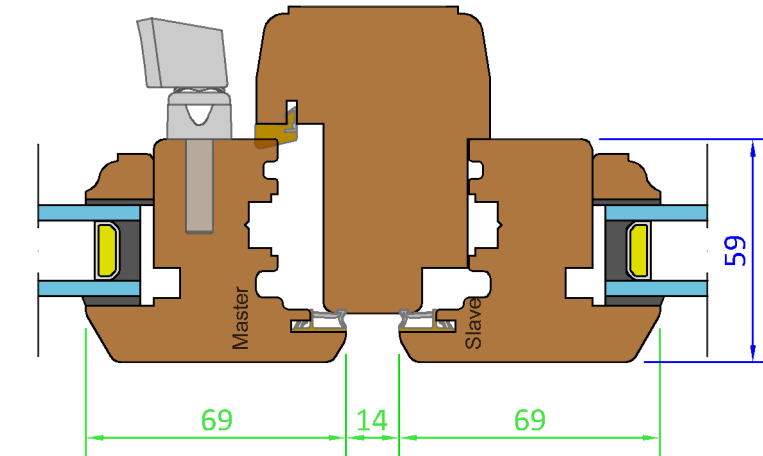
French Window - Section E:D - (Scale 1:2)
Needs to be at least 500mm wide to be a fire escape window.



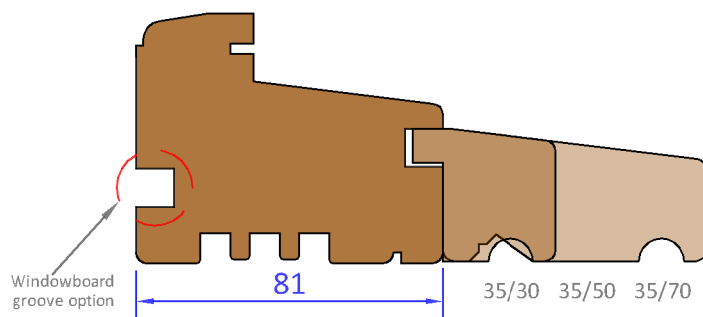
False Mullion Elevation - (Scale 1:15)



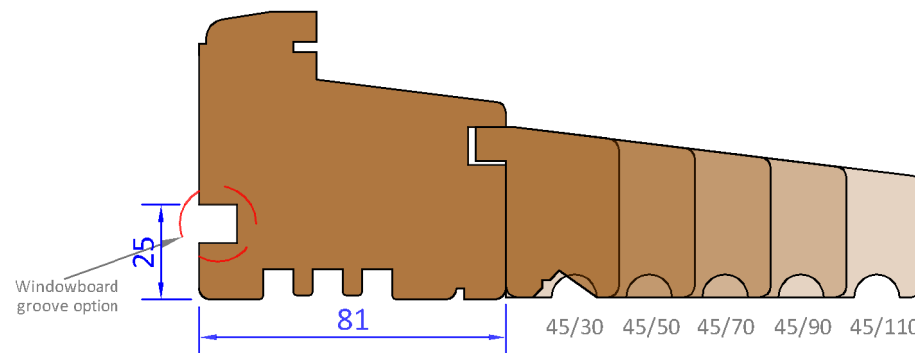
False Mullion - Section E:E - (Scale 1:2)




Cill Extension Options - 35mm - (Scale 1:2)



Cill Extension Options - 45mm - (Scale 1:2)



 Vent System

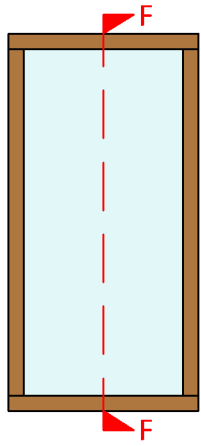
 Variable Dimensions
(Dim shown is usually min)

 Fixed Dimensions

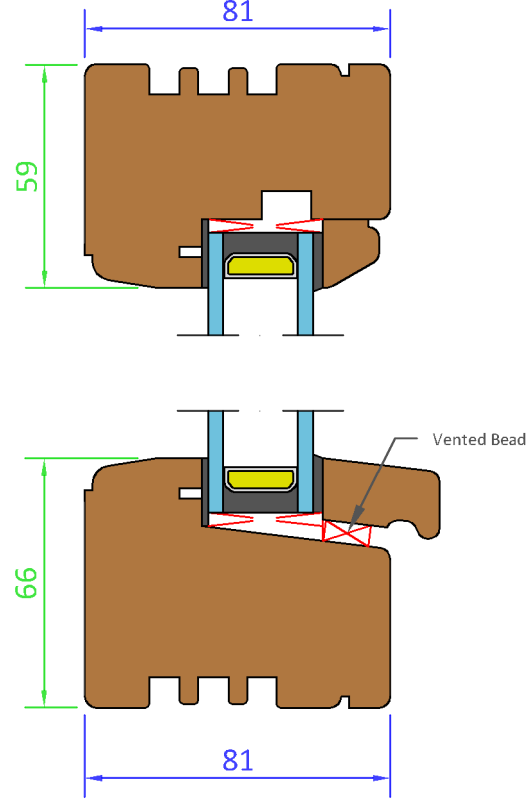
System: T-C1-81-59		
Title: Traditional - Stormproof Casement Window		
Scale:	Rev No:	Date:
As Shown	B	9-Mar-18
Drawn By:	Sheet No:	Status:
LH	2	Released

DIRECT GLAZED AND CONNECTION OPTIONS

Direct Glazed Elevation - (Scale 1:20)

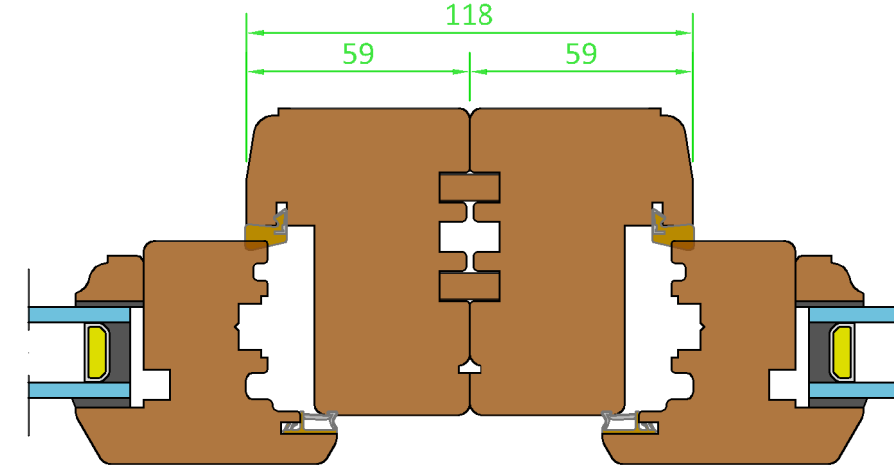


Direct Glazed Options - Section F:F - (Scale 1:2)

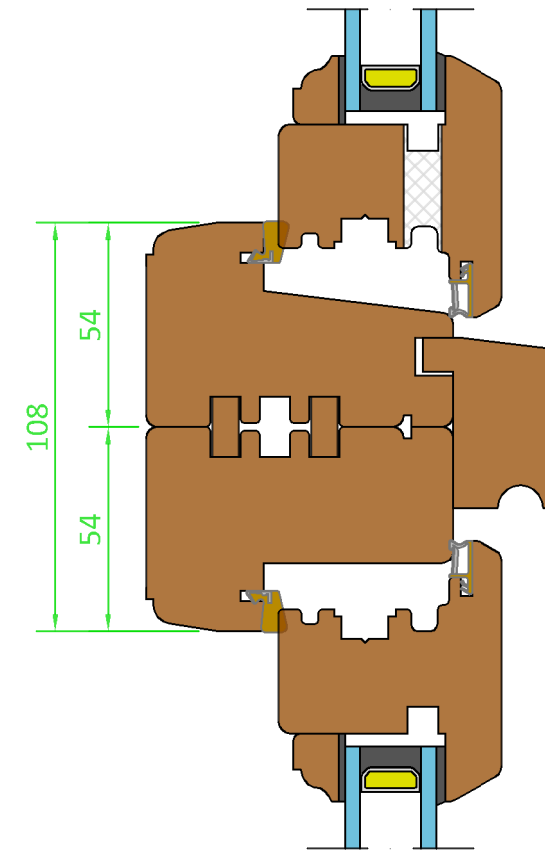


Frame Connection

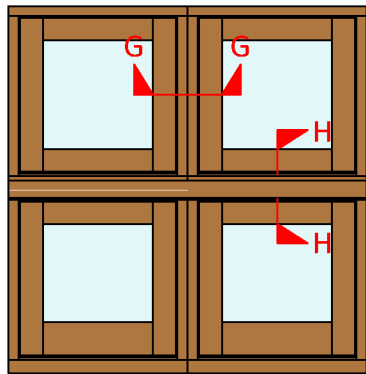
Jamb Connection - Section G:G - (Scale 1:2)



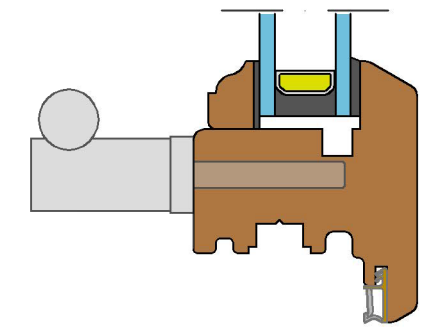
Cover Extension - Section HH - (Scale 1:2)



Frame Connection Elevation - (Scale 1:20)



Handle Option - (Scale 1:2)



 Vent System

 Variable Dimensions
(Dim shown is usually min)

 Fixed Dimensions

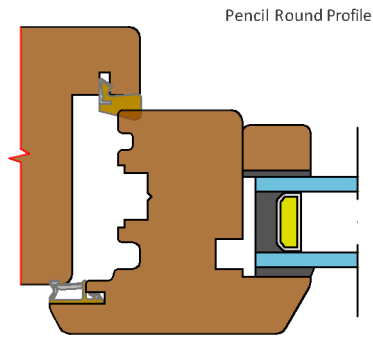
Tolerances: All tolerances are to George Barnsdale Standard Tolerance definitions (see supporting document for more detail) unless stated on the drawing.
© George Barnsdale & Sons Ltd. All rights reserved. No part of this drawing may be reproduced without the permission of George Barnsdale & Son Ltd.

System: T-C1-81-59		
Title: Traditional - Stormproof Casement Window		
Scale:	As Shown	Rev No: B
		Date: 9-Mar-18
Drawn By:	LH	Sheet No: 3
		Status: Released

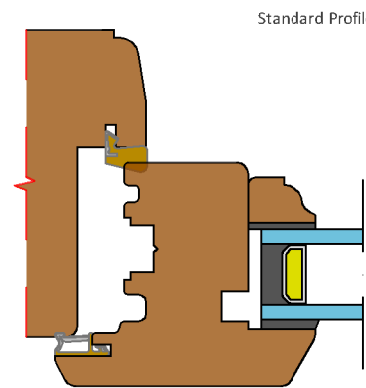
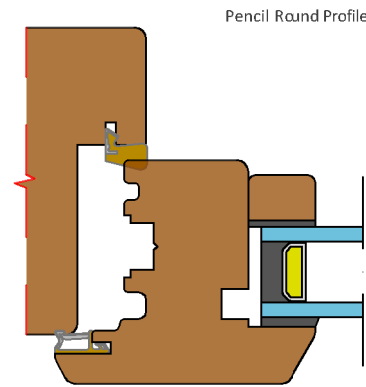
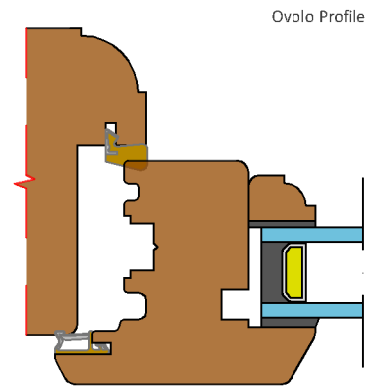
GEORGE BARNSDALE
Est. 1884
High Street, Donington, Spalding, Lincs, PE11 4TA
01775 823000
www.georgebarnsdale.co.uk

FRAME OPTIONS - (Scale 1:2)

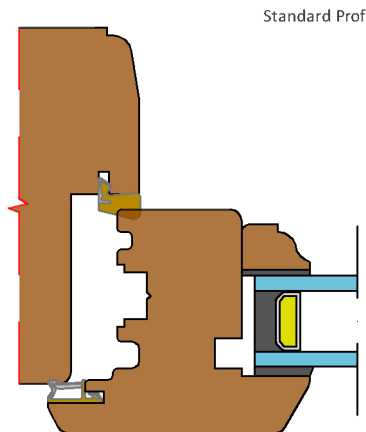
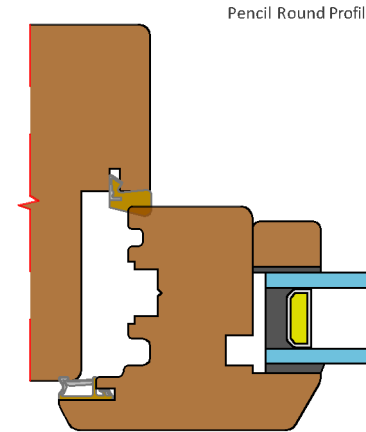
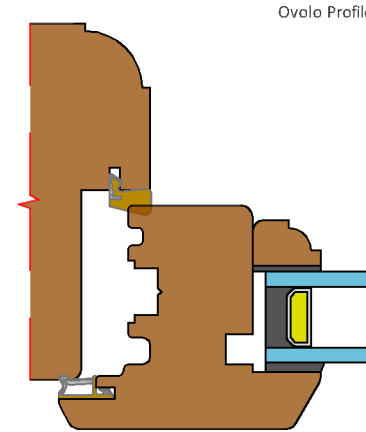
Frame Inside Options - 68mm



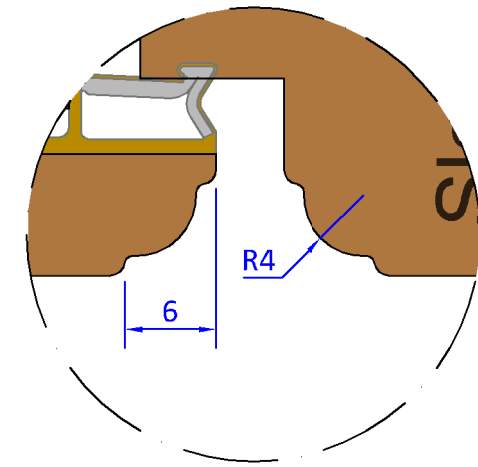
Frame Inside Options - 81mm



Frame Inside Options - 94mm



Sash Outside Ovolo Option
- (Scale 2:1)



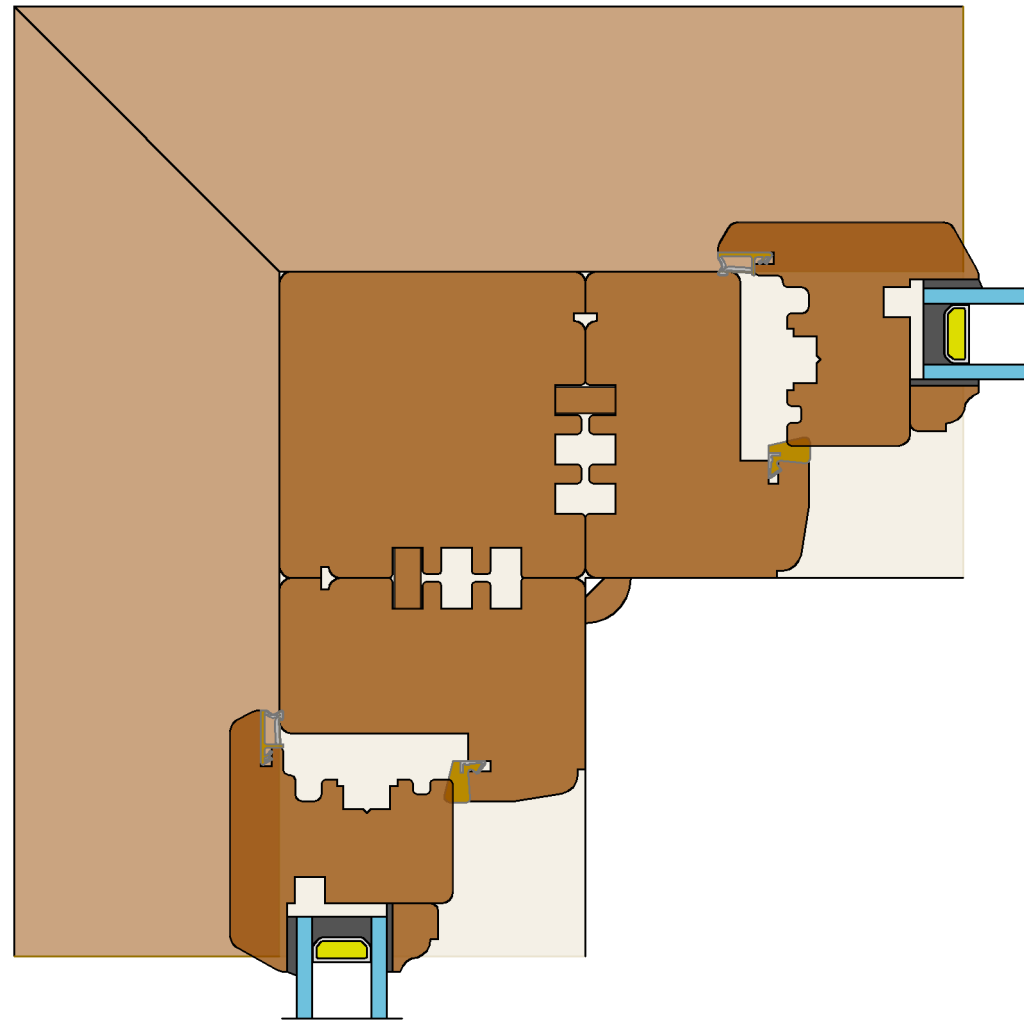
Variable Dimensions
(Dim shown is usually min)

Fixed Dimensions

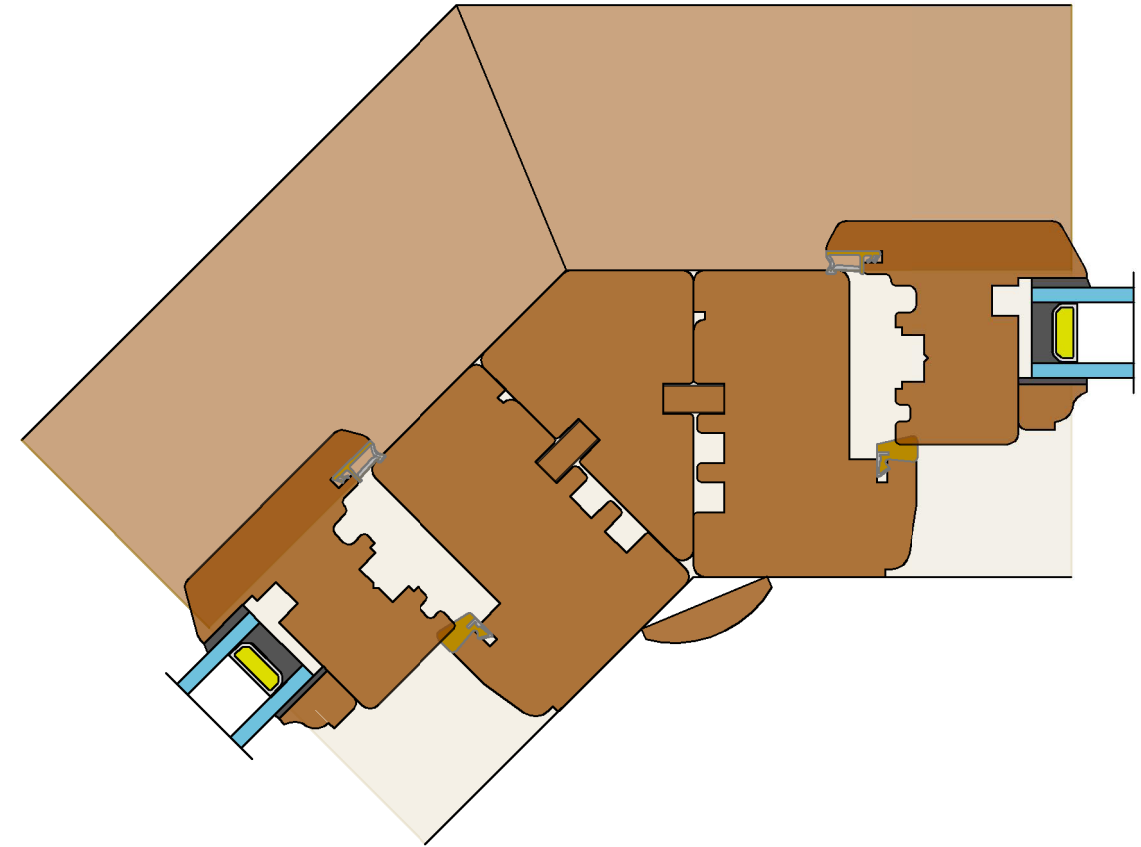
System: T-C1-81-59		
Title: Traditional - Stormproof Casement Window		
Scale:	As Shown	Rev No: B
		Date: 9-Mar-18
Drawn By:	LH	Sheet No: 4
		Status: Released

BAY CONNECTION DETAILS - (Scale 1:2)

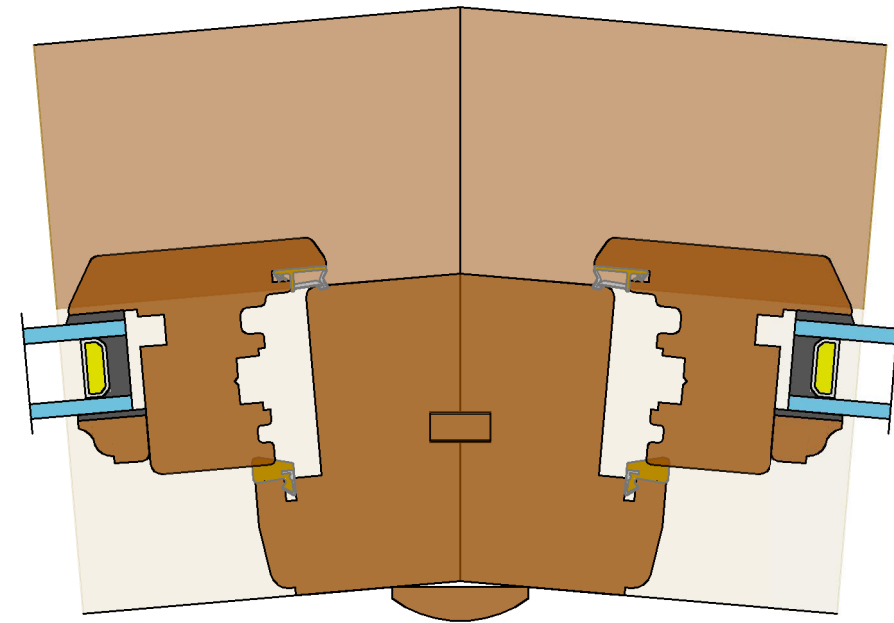
90° Corner Post



91-155° Angled Corner Post



156-179° Segmented Bay



———— Variable Dimensions
(Dim shown is usually min)

———— Fixed Dimensions

System: T-C1-81-59			
Title: Traditional - Stormproof Casement Window			
Scale:	As Shown	Rev No: B	Date: 9-Mar-18
Drawn By:	LH	Sheet No: 5	Status: Released

GEORGE BARNSDALE
Est. 1884

High Street, Donington, Spalding, Lincs, PE11 4TA
01775 823000
www.georgebarnsdale.co.uk

Tolerances: All tolerances are to George Barnsdale Standard Tolerance definitions (see supporting document for more detail) unless stated on the drawing.
© George Barnsdale & Sons Ltd. All rights reserved. No part of this drawing may be reproduced without the permission of George Barnsdale & Son Ltd.