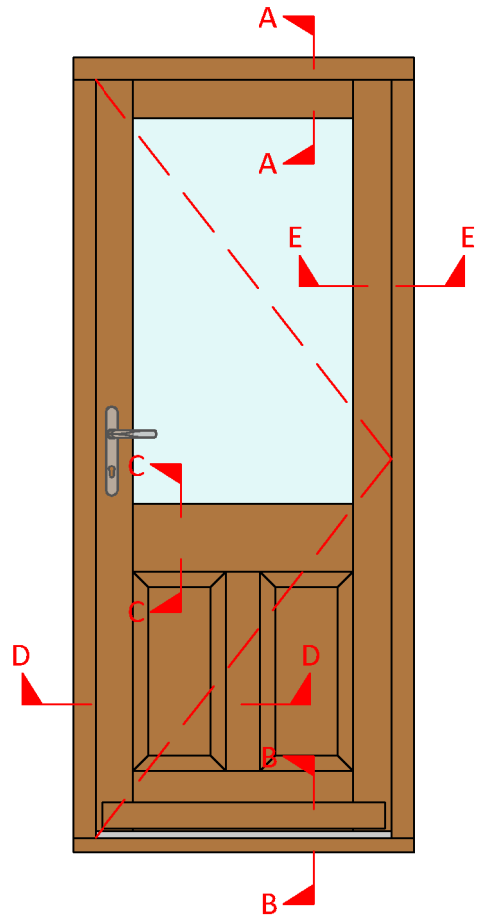
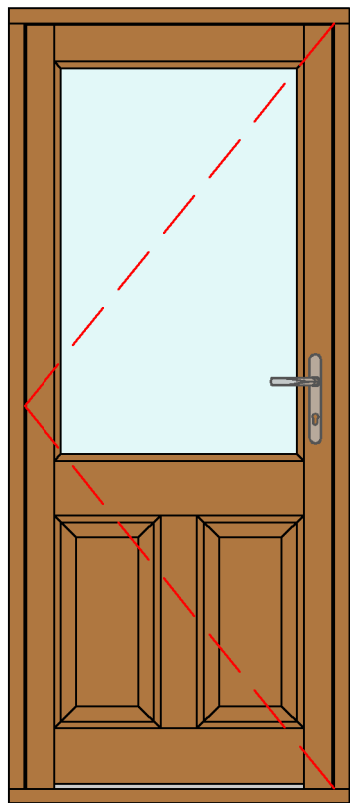


**ELEVATIONS**

Outside View (Scale 1:20)

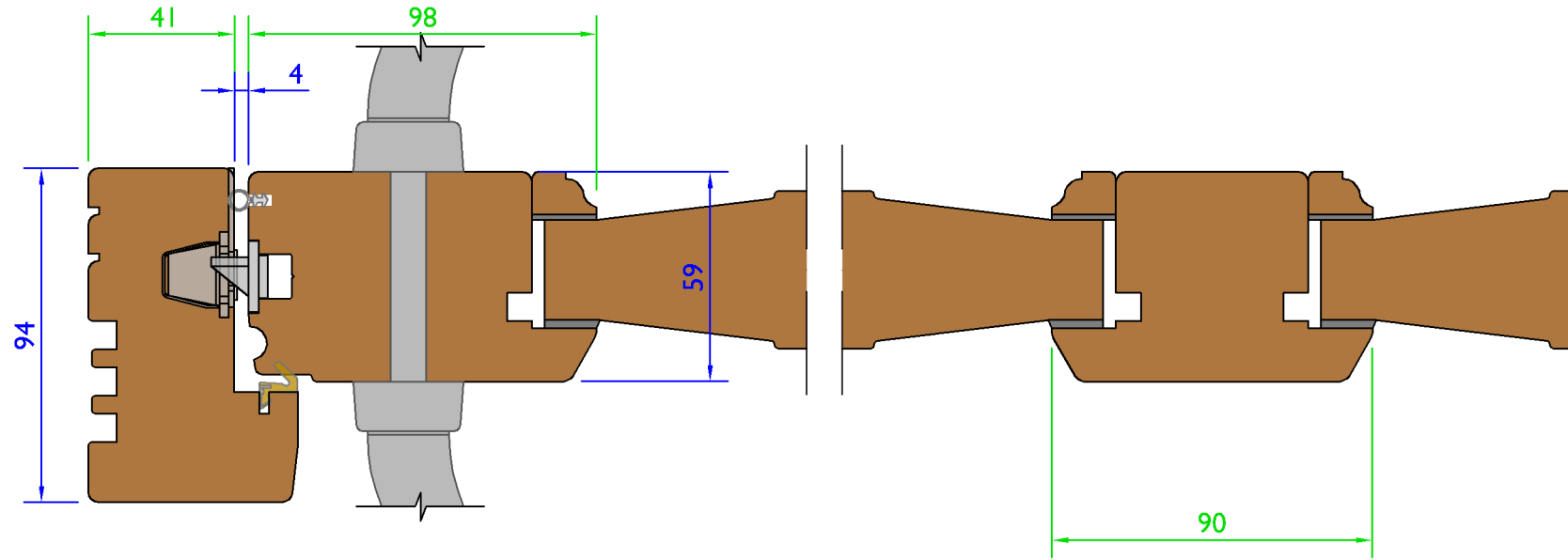


Inside View (Scale 1:20)

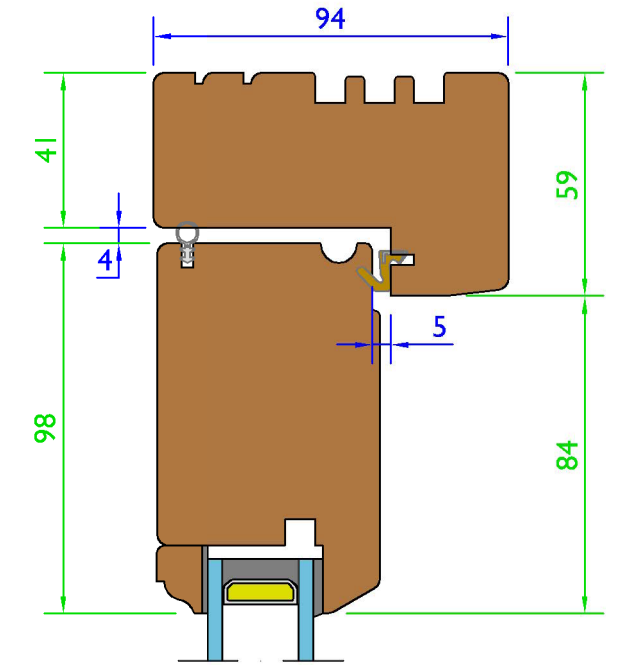


**SECTIONS**

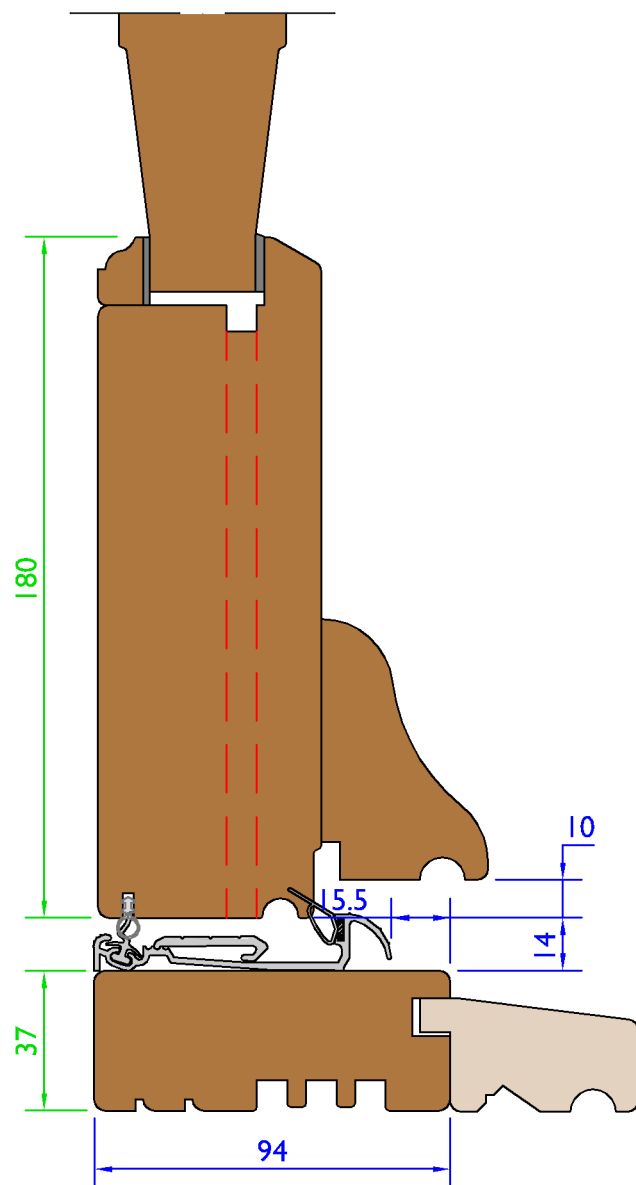
Section D-D - Jamb Vertical Rail and Hinge (Scale 1:2)



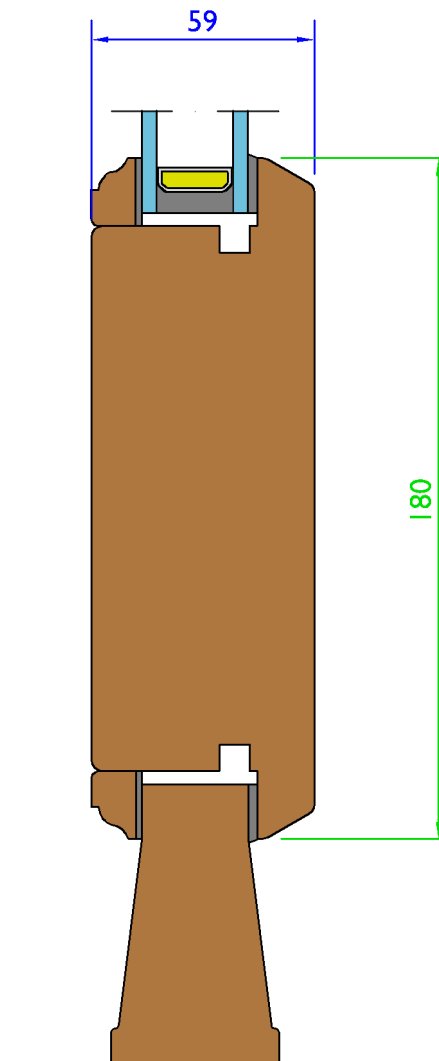
Section A-A - Head Detail (Scale 1:2)



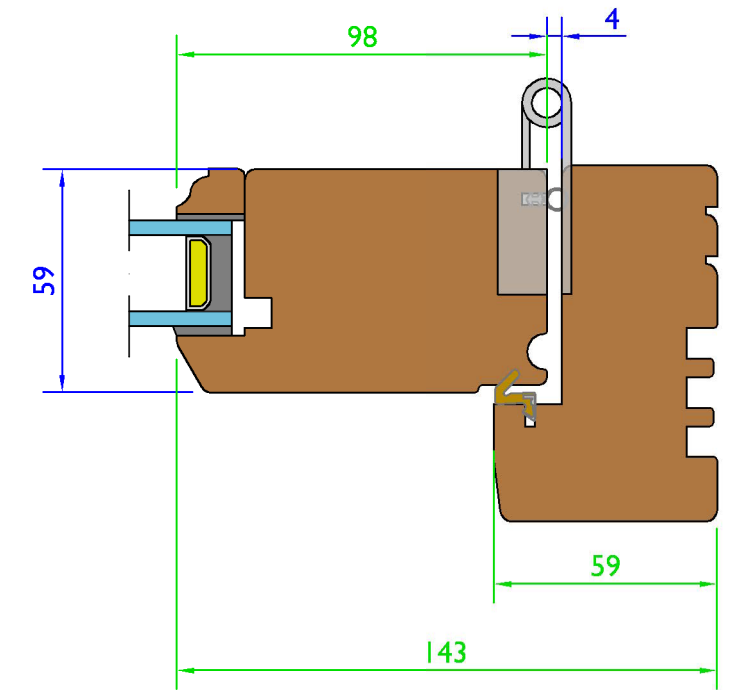
Section B-B - Cill Detail (Scale 1:2)



Section C-C - Midrail (Scale 1:2)



Section E-E Hinge Detail (Scale 1:2)



Variable Dimensions  
(Dim shown is usually min)

Fixed Dimensions

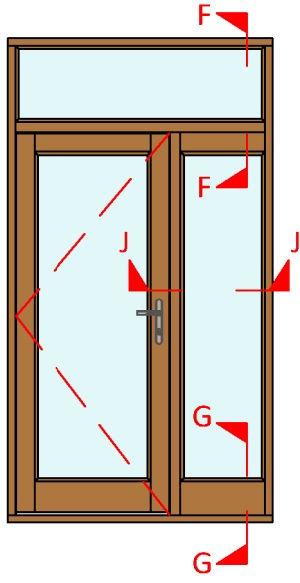
Tolerances: All tolerances are to George Barnsdale Standard Tolerance definitions (see supporting document for more detail) unless stated on the drawing.  
© George Barnsdale & Sons Ltd. All rights reserved. No part of this drawing may be reproduced without the permission of George Barnsdale & Son Ltd.

System: T-DS2-94		
Title: Traditional - Inward Opening Doorset (59mm)		
Scale:	As Shown	Rev No: A
Drawn By:	LS	Date: 14-Sep-16
		Sheet No: 1
		Status: WIP

**GEORGE BARNSDALE**  
Est. 1884  
High Street, Dorington, Spalding, Lincs, PE11 4TA  
01775 82300  
www.georgebarnsdale.co.uk

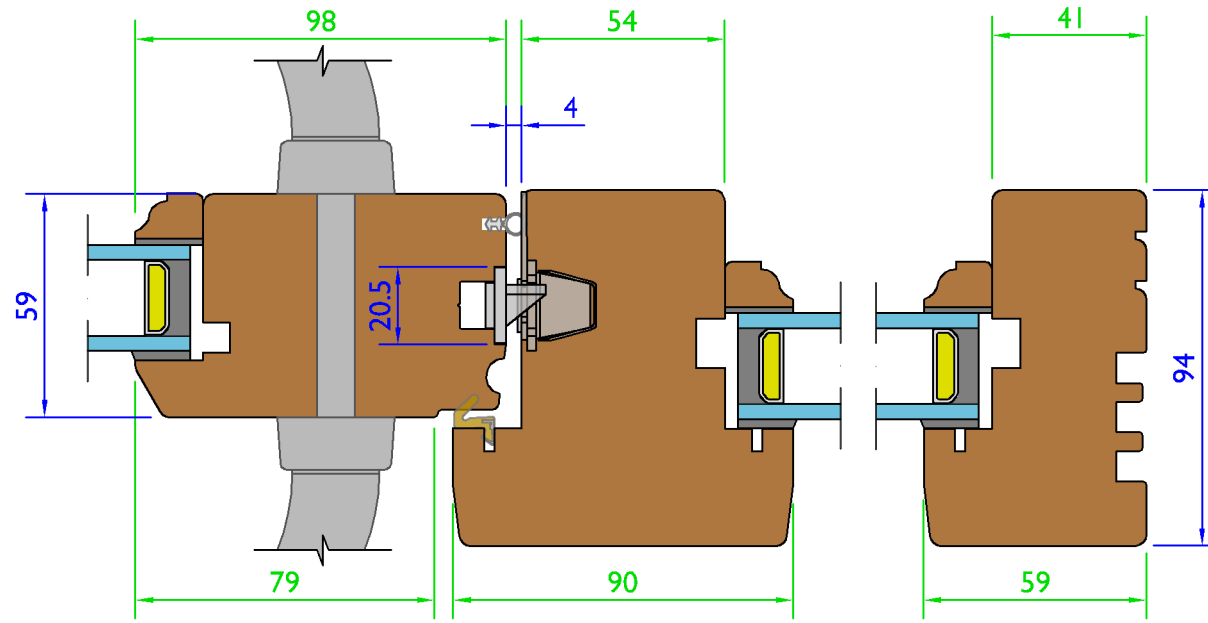
**ELEVATIONS**

Type L204 - Outside View -  
(Scale 1:40)

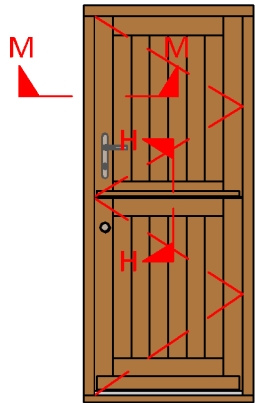


**SECTIONS**

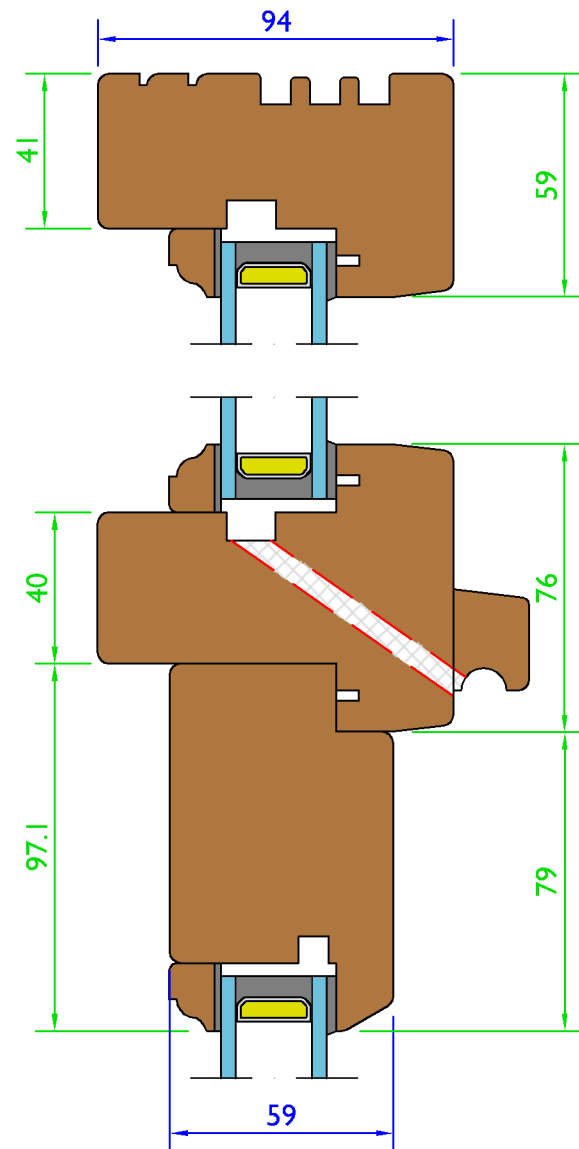
Section J-J - (Scale 1:2)



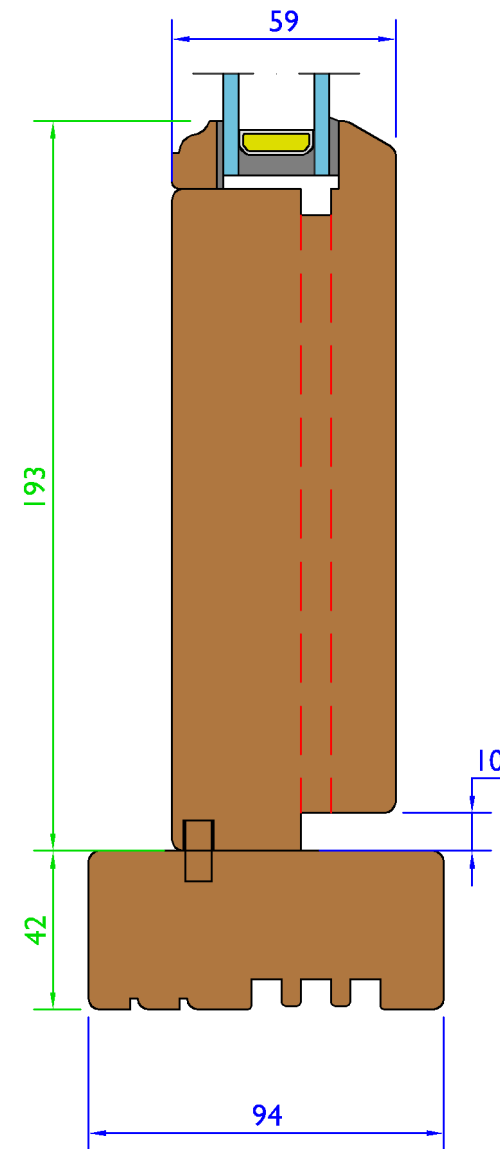
Stable Door - Outside View -  
(Scale 1:40)



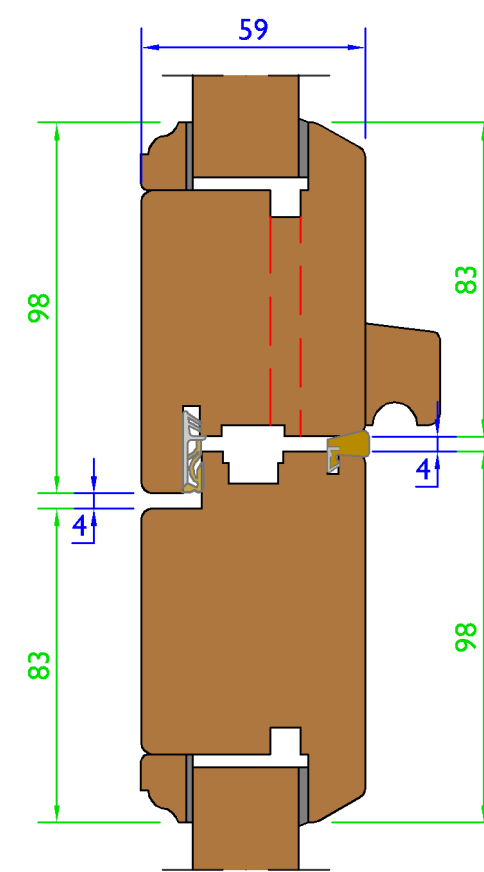
Section F-F - (Scale 1:2)



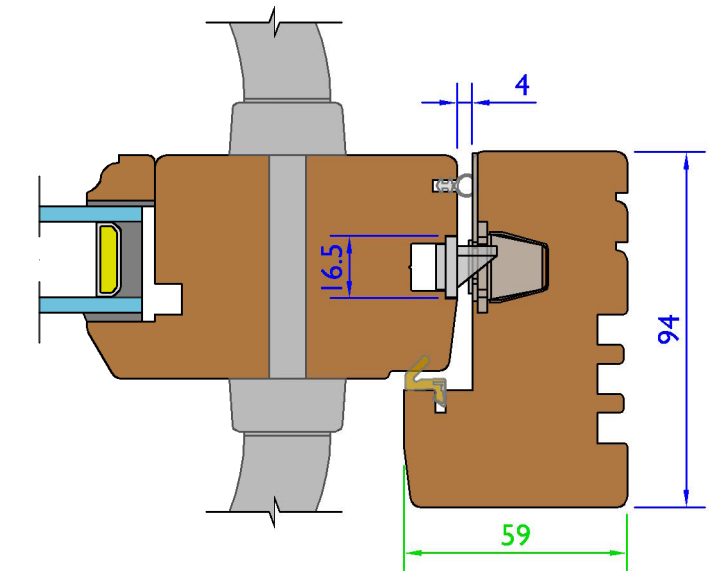
Section G-G - (Scale 1:2)



Stable Door Meeting H-H - (Scale 1:2)



Section M-M - Stable Door Lock and Frame -  
(Scale 1:2)



Drainage System

Variable Dimensions  
(Dim shown is usually min)

Fixed Dimensions

Tolerances: All tolerances are to George Barnsdale Standard Tolerance definitions (see supporting document for more detail) unless stated on the drawing.  
© George Barnsdale & Sons Ltd. All rights reserved. No part of this drawing may be reproduced without the permission of George Barnsdale & Son Ltd.

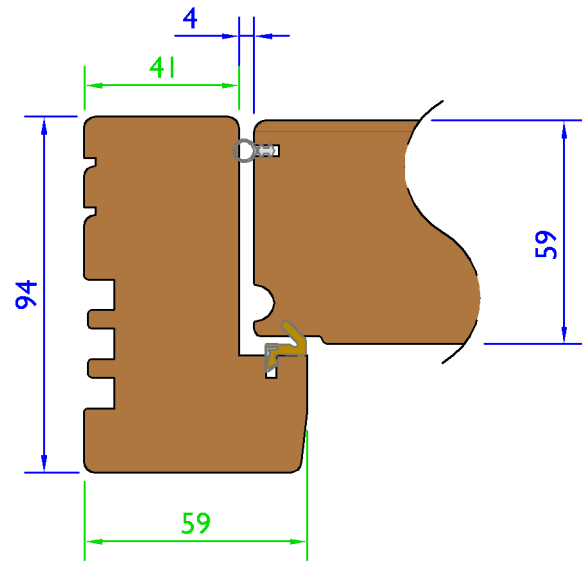
System: T-DS2-94			
Title: Traditional - Inward Opening Doorset (59mm)			
Scale:	As Shown	Rev No: A	Date: 14-Sep-16
Drawn By:	LS	Sheet No: 2	Status: WIP

**GEORGE BARNSDALE**  
Est. 1884  
High Street, Dorington, Spalding, Lincs, PE11 4TA  
01775 82300  
www.georgebarnsdale.co.uk

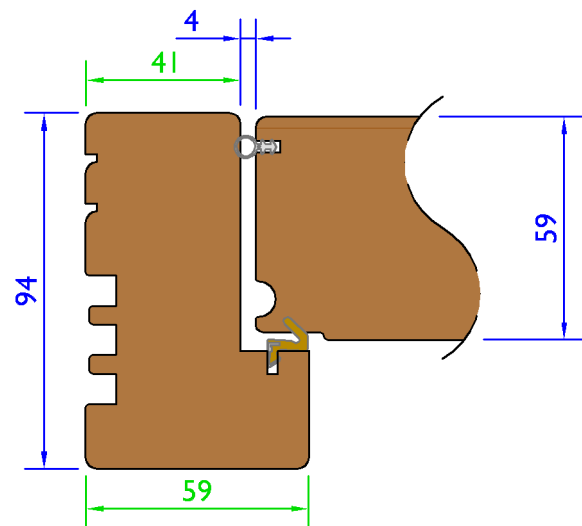
**FRAME OPTIONS**

Frame and Sash Options - (Scale 1:2)

94mm Frame - Standard Profile

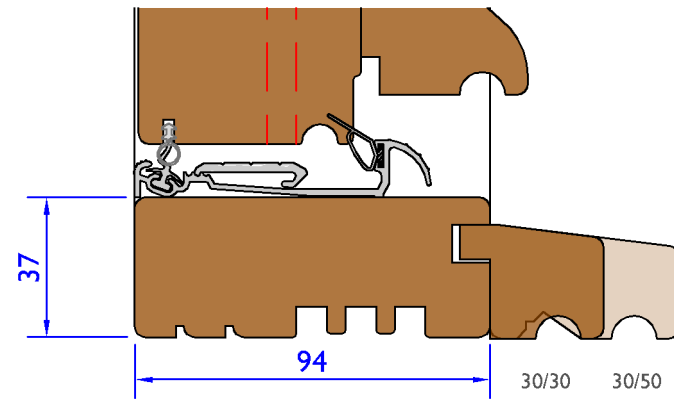


94mm Frame - Pencil Round Profile

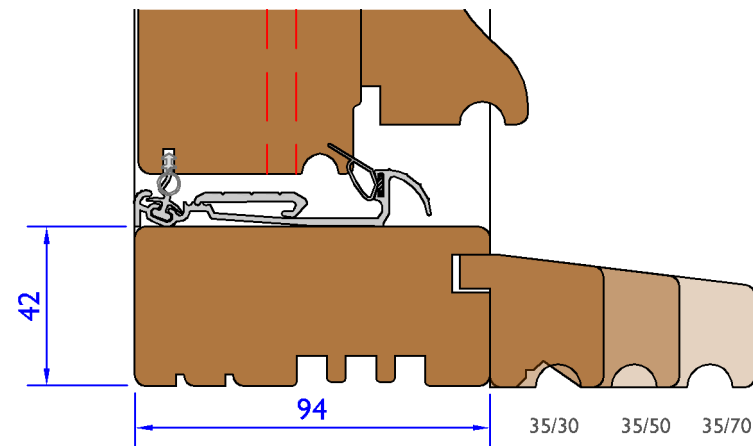


Cill Extension Options - (Scale 1:2)

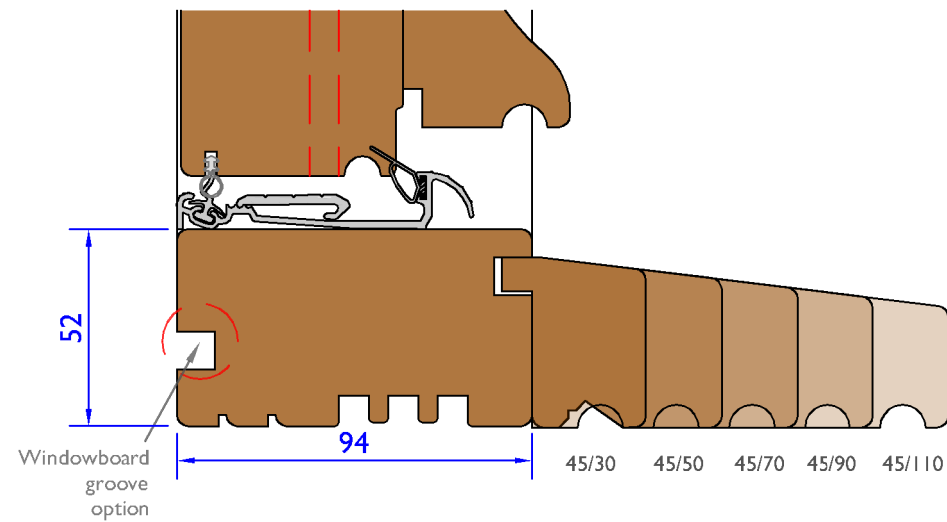
Cill Extension For 30 mm Extension



Cill Extension For 35 mm Extension

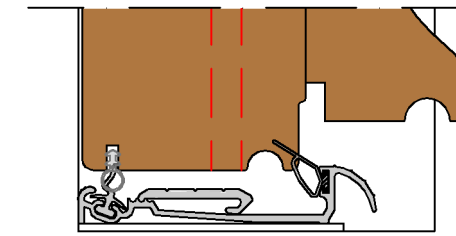


Cill Extension For 45 mm Extension

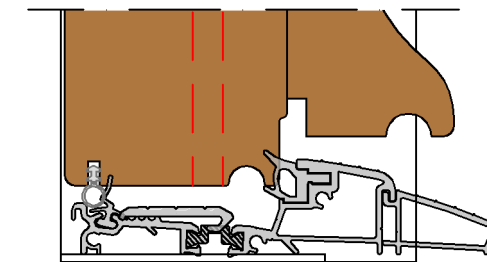


Low Threshold Options - (Scale 1:2)

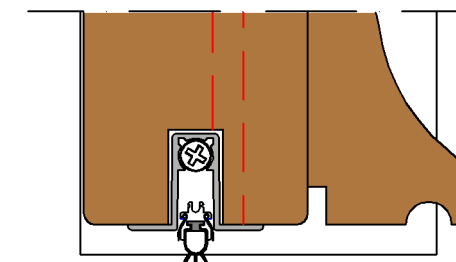
Standard Low Threshold Cill Option 1 - (Scale 1:2)



High Performance Low Threshold Option - (Scale 1:2)

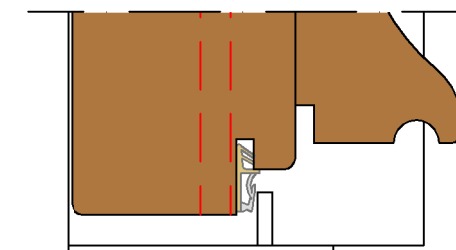


Dropdown Seal Threshold Option - (Scale 1:2)



Reduced weather performance

Waterbar Threshold Option - (Scale 1:2)



Reduced weather performance

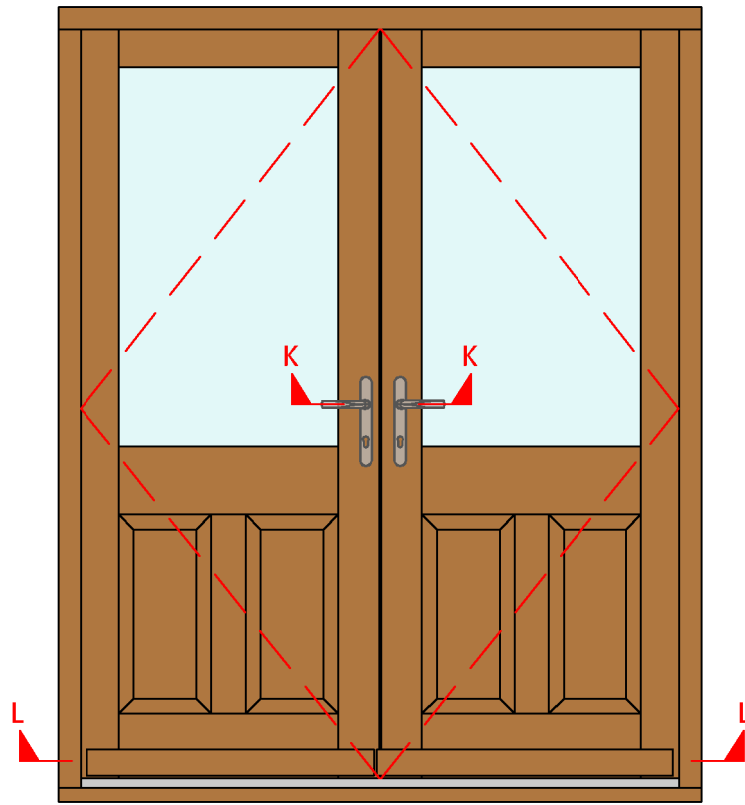
Tolerances: All tolerances are to George Barnsdale Standard Tolerance definitions (see supporting document for more detail) unless stated on the drawing.  
© George Barnsdale & Sons Ltd. All rights reserved. No part of this drawing may be reproduced without the permission of George Barnsdale & Son Ltd.

— Variable Dimensions  
(Dim shown is usually min)  
— Fixed Dimensions

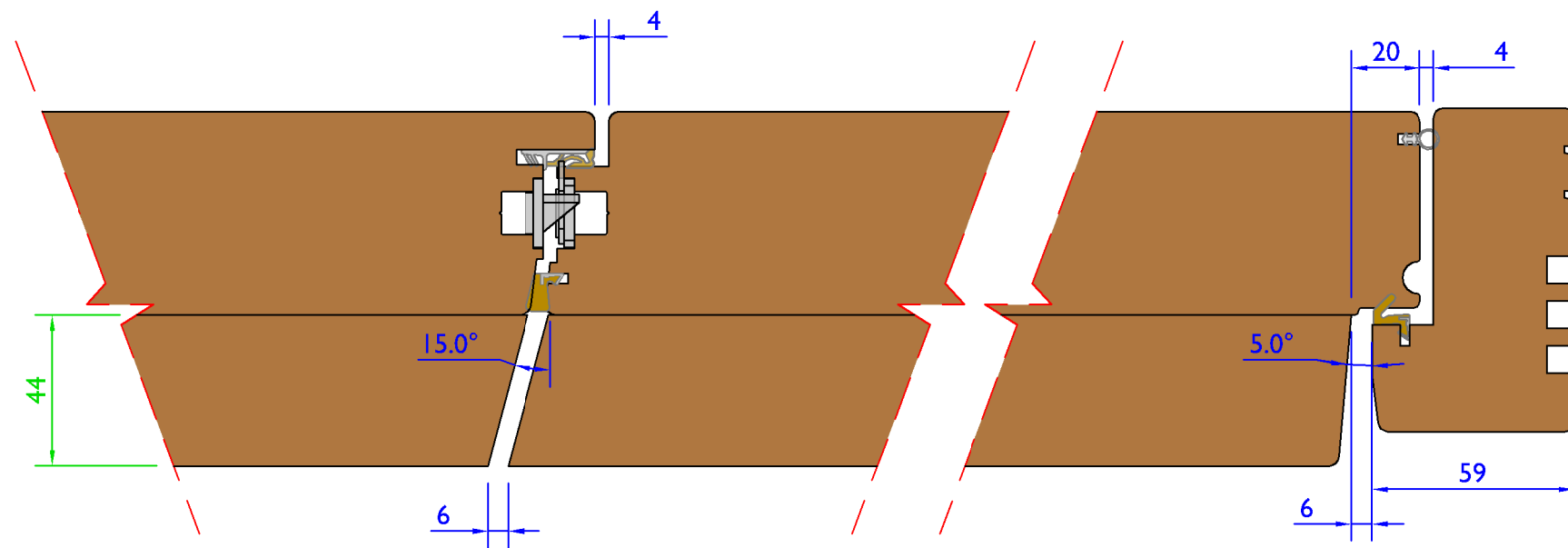
System: T-DS2-94		
Title: Traditional - Inward Opening Doorset (59mm)		
Scale:	Rev No:	Date:
As Shown	A	14-Sep-16
Drawn By:	Sheet No:	Status:
LS	3	WIP

**GEORGE BARNSDALE**  
Est. 1884  
High Street, Donington, Spalding, Lincs, PE11 4TA  
01775 82300  
www.georgebarnsdale.co.uk

French Doors - Outside View - (Scale 1:20)



Section L-L - Timber Weather Bar Fitting - (Scale 1:2)

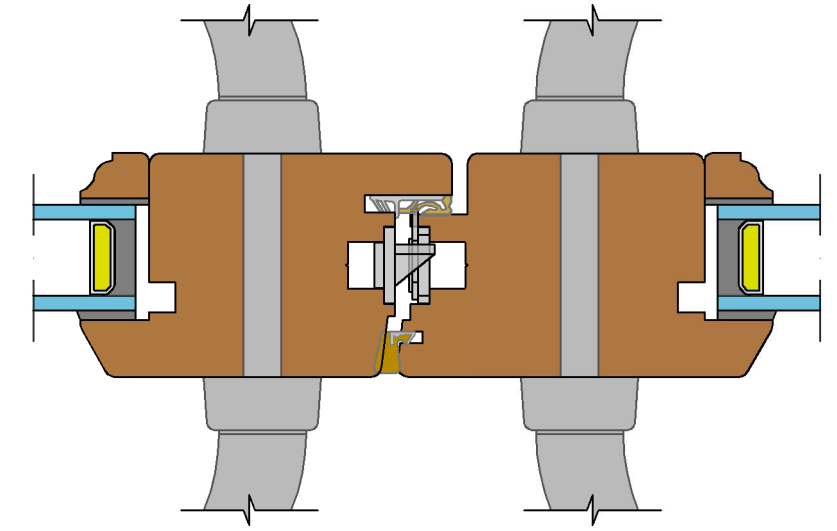


Variable Dimensions  
(Dim shown is usually min)

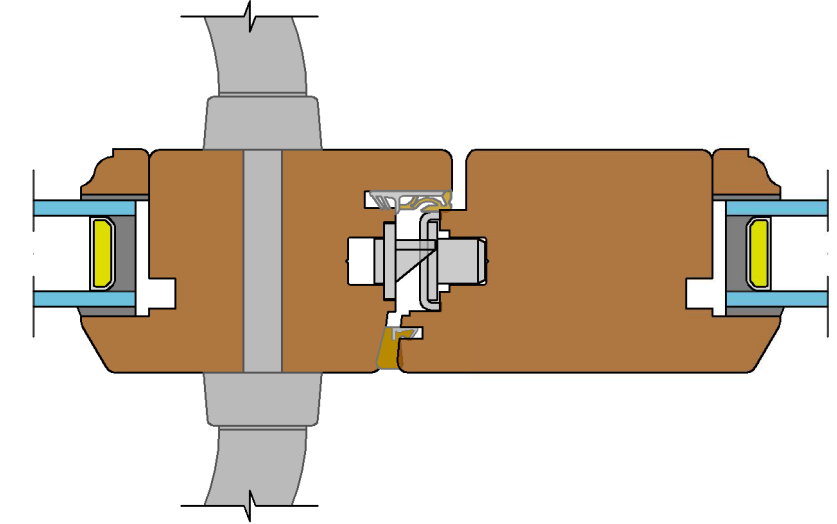
Fixed Dimensions

Section K-K - French Meeting Rail Options

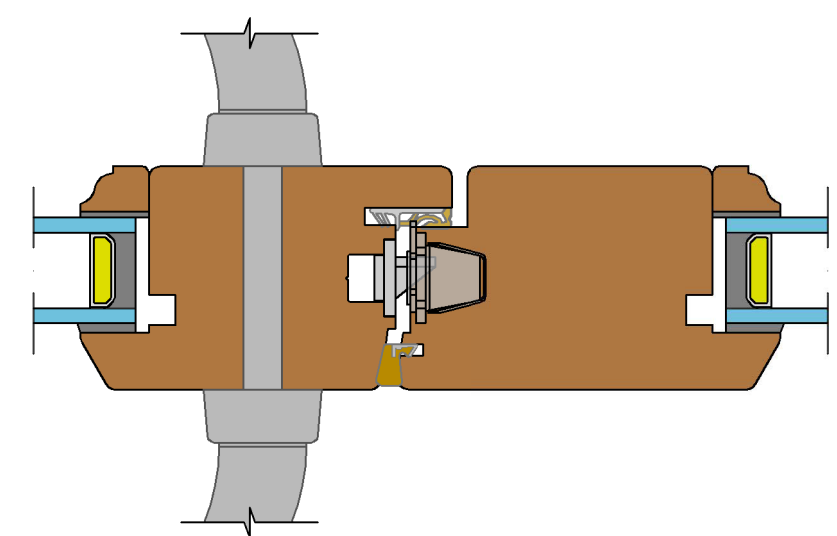
French Door Meeting - (Scale 1:2)



French Door Meeting Concealed Lock Option - (Scale 1:2)



Thumb Bolt Lock Option - (Scale 1:2)



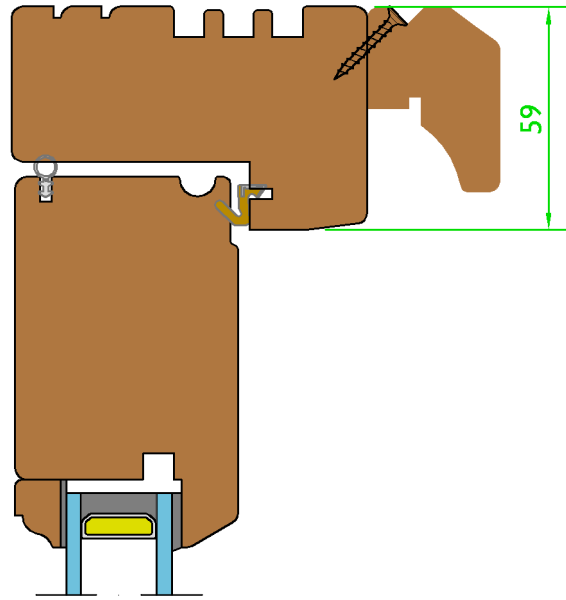
Tolerances: All tolerances are to George Barnsdale Standard Tolerance definitions (see supporting document for more detail) unless stated on the drawing.  
© George Barnsdale & Sons Ltd. All rights reserved. No part of this drawing may be reproduced without the permission of George Barnsdale & Son Ltd.

System: T-DS2-94			
Title: Traditional - Inward Opening Doorset (59mm)			
Scale:	As Shown	Rev No: A	Date: 14-Sep-16
Drawn By:	LS	Sheet No: 4	Status: WIP

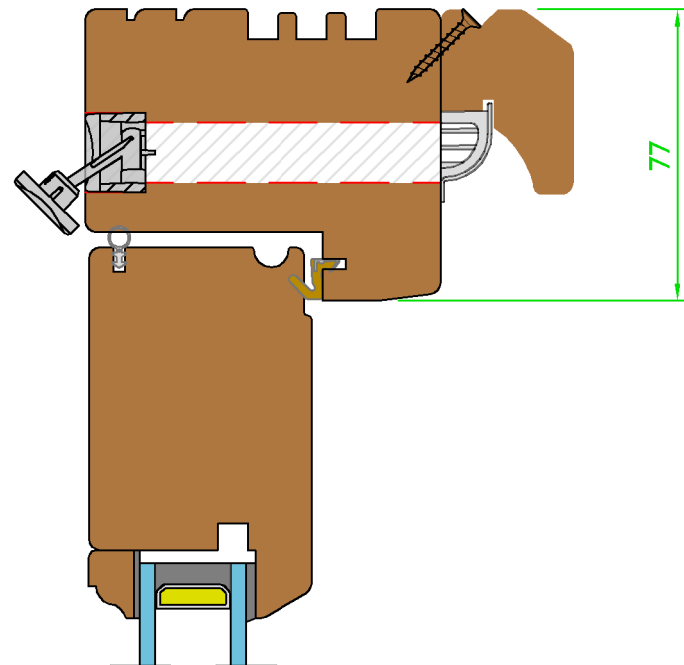
**GEORGE BARNSDALE**  
Est. 1884  
High Street, Donington, Spalding, Lincs, PE11 4TA  
01775 82300  
www.georgebarnsdale.co.uk

VENTILATION OPTION DETAILS

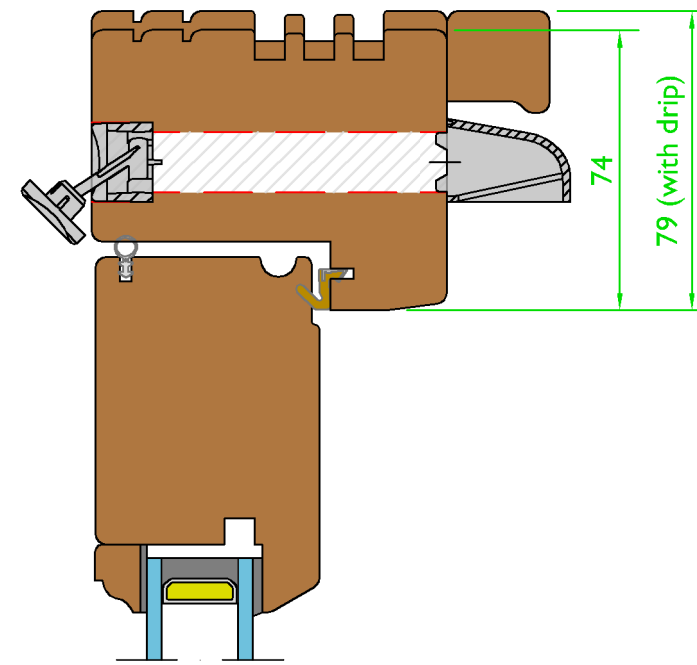
Frame With Head Drip Option - (Scale 1:2)



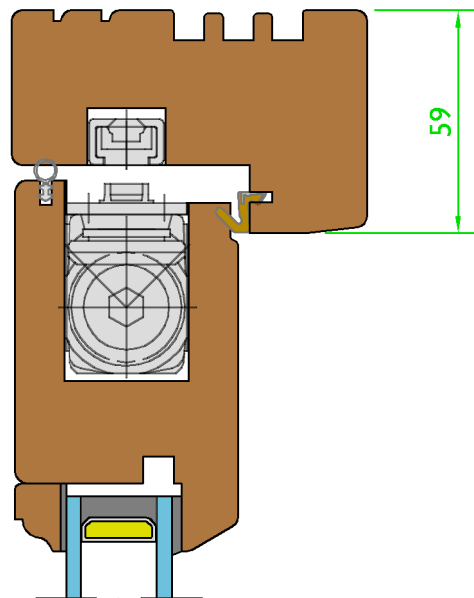
Frame Vent Option (Slide in/Grill Out) - (Scale 1:2)



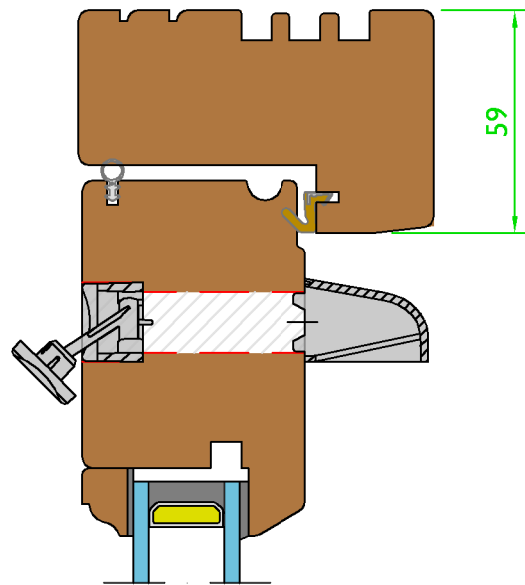
Frame Vent Option (Slide In/Canopy Out) - (Scale 1:2)



Concealed Closer Option - (Scale 1:2)



Sash Vent Option (Slide in Canopy out) - (Scale 1:2)



 Vent System

 Variable Dimensions  
(Dim shown is usually min)

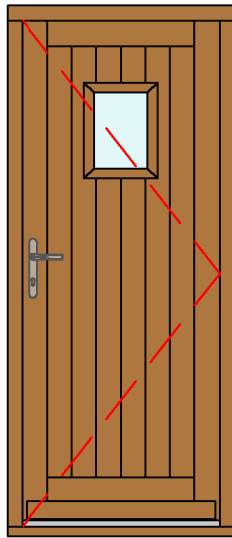
 Fixed Dimensions

Tolerances: All tolerances are to George Barnsdale Standard Tolerance definitions (see supporting document for more detail) unless stated on the drawing.  
© George Barnsdale & Sons Ltd. All rights reserved. No part of this drawing may be reproduced without the permission of George Barnsdale & Son Ltd.

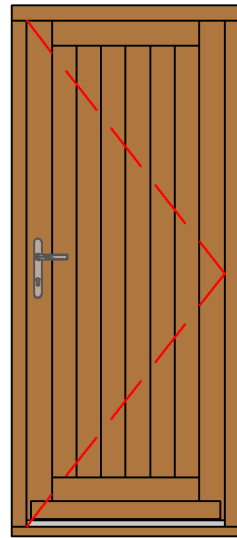
System: T-DS2-94		
Title: Traditional - Inward Opening Doorset (59mm)		
Scale:	Rev No:	Date:
As Shown	A	14-Sep-16
Drawn By:	Sheet No:	Status:
LS	5	WIP

**GEORGE BARNSDALE**  
Est. 1884  
High Street, Donington, Spalding, Lincs, PE11 4TA  
01775 82300  
www.georgebarnsdale.co.uk

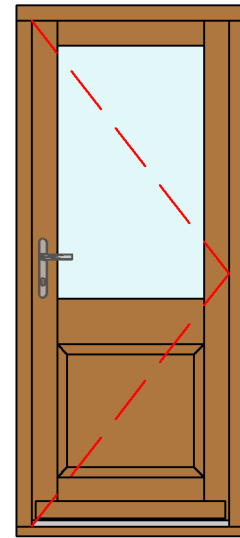
STANDARD DOOR TYPE (Scale 1:30)



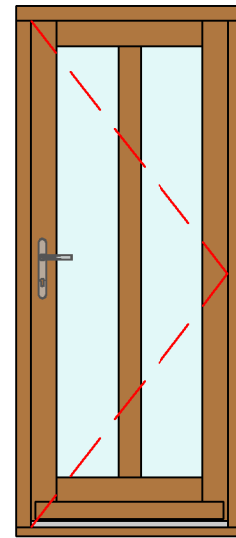
Type 101  
(With Vision Panel)



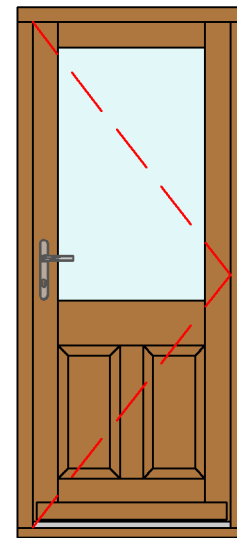
Type 101



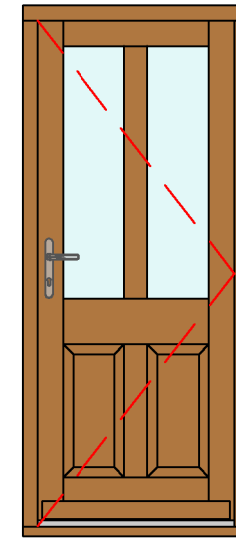
Type 102



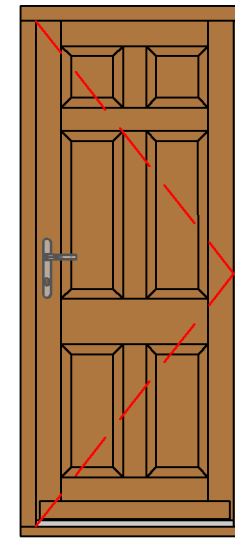
Type 103



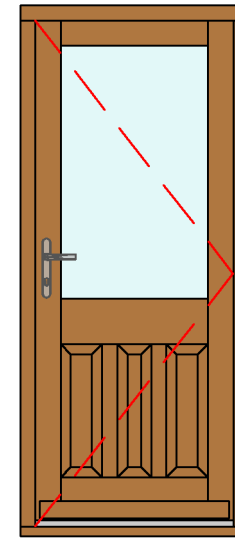
Type 104



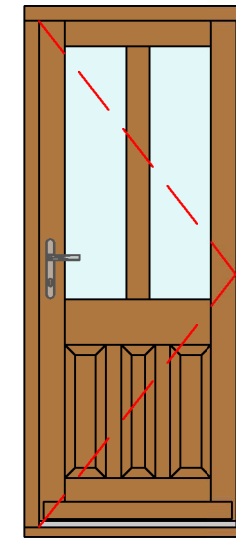
Type 105



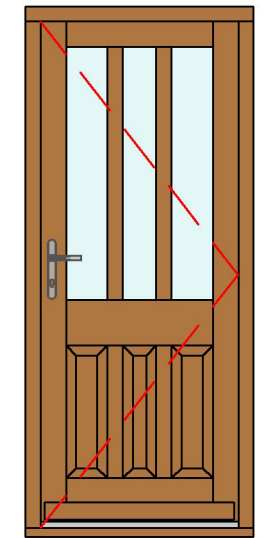
Type 106



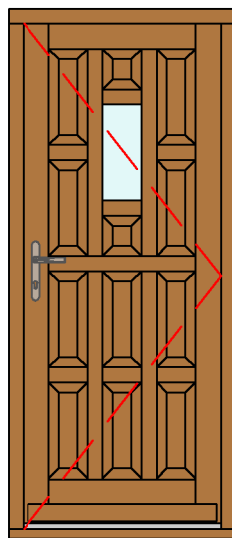
Type 107



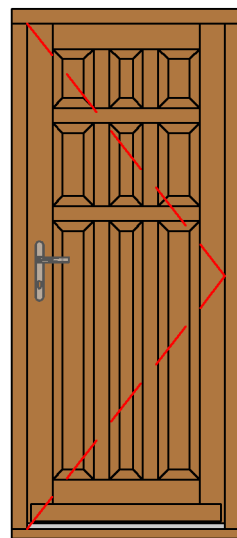
Type 108



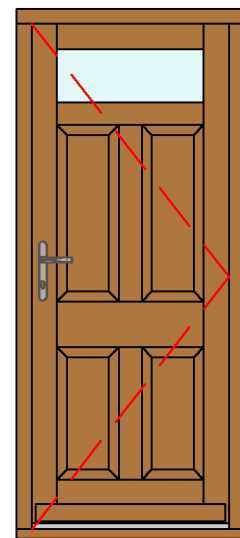
Type 109



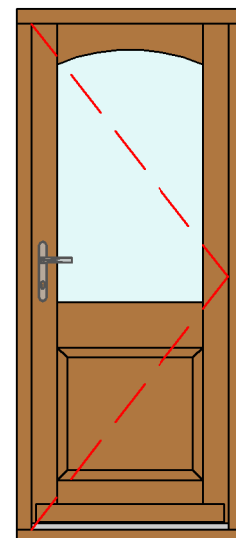
Type 157



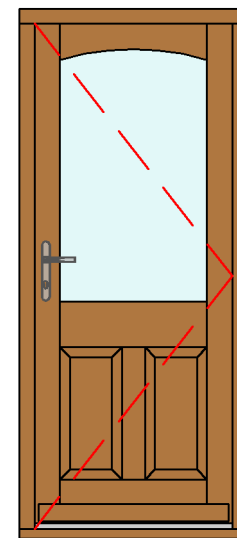
Type 110



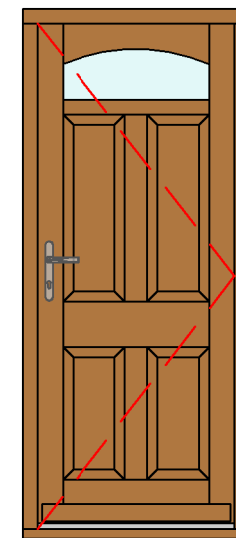
Type 111



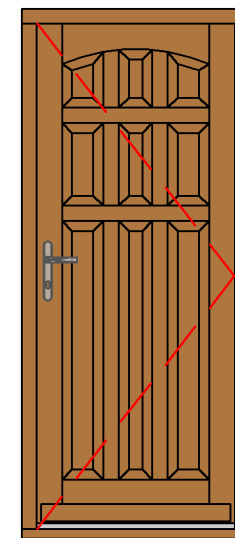
Type 120



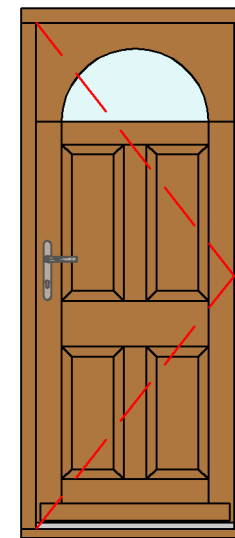
Type 121



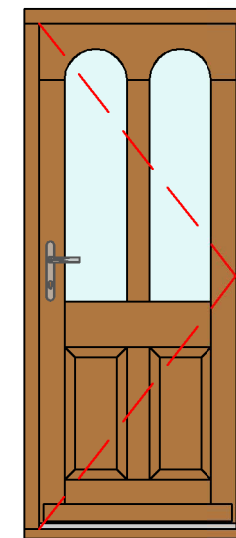
Type 122



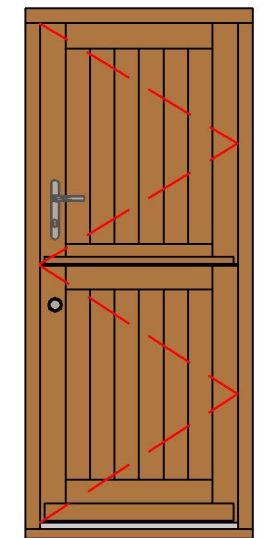
Type 123



Type 140



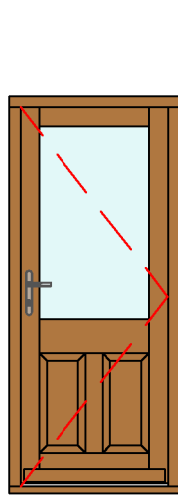
Type 141



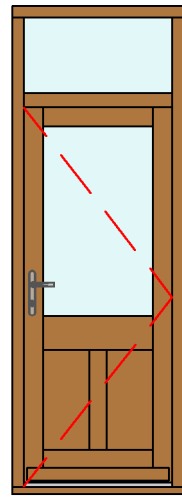
Type Stable

System: T-DS2-94		
Title: Traditional - Inward Opening Doorset (59mm)		
Scale:	Rev No:	Date:
As Shown	A	14-Sep-16
Drawn By:	Sheet No:	Status:
LS	6	WIP

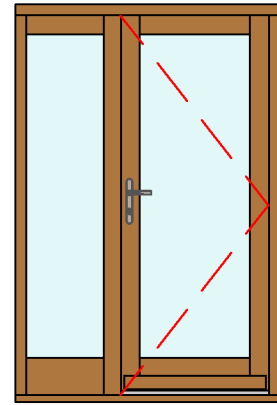
STANDARD DOOR TYPE (Scale 1:40)



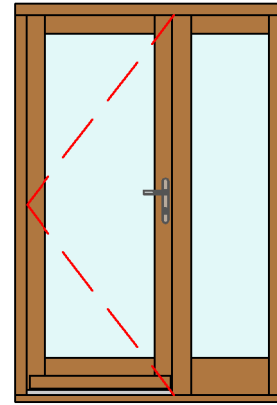
Type L101



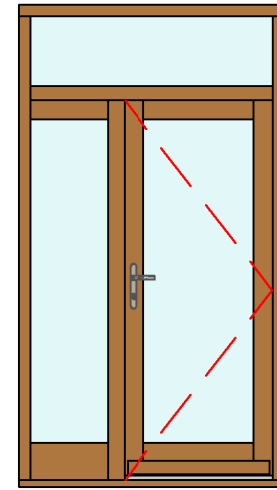
Type L102



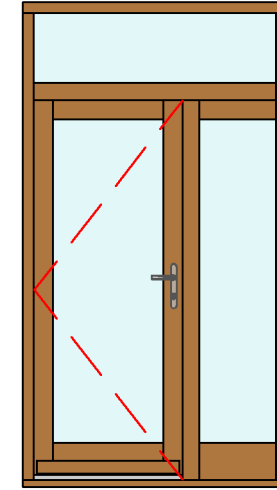
Type L201



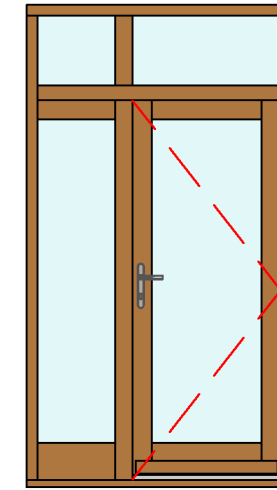
Type L202



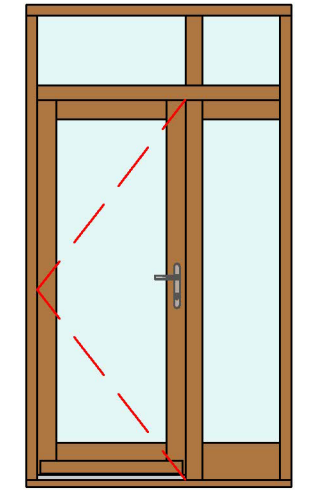
Type L203



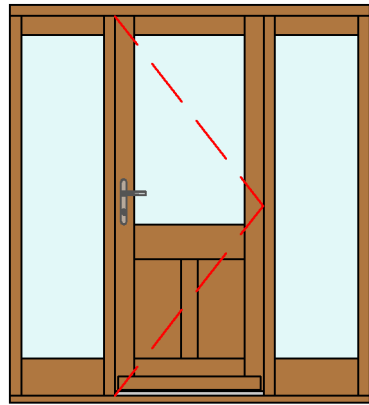
Type L204



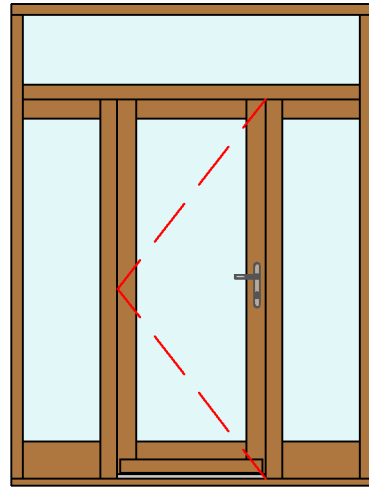
Type L205



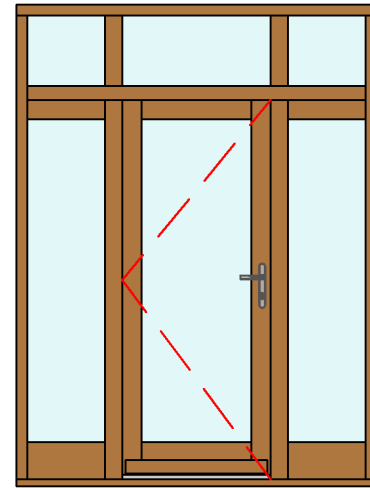
Type L206



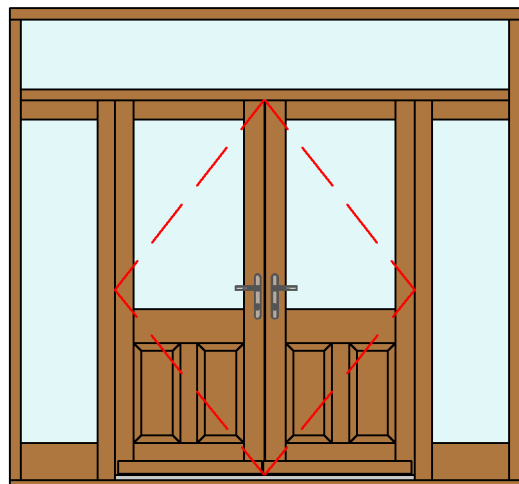
Type L301



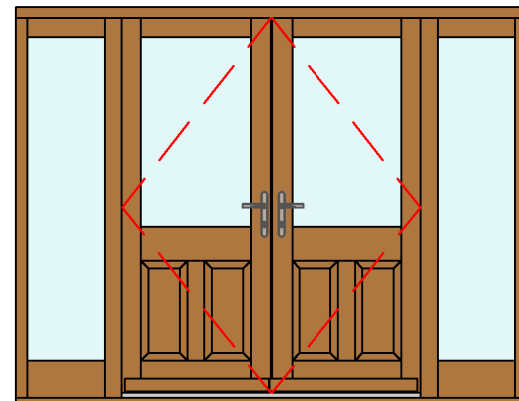
Type L302



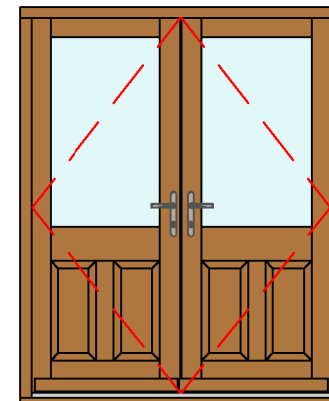
Type L303



French Doors With Sidelights and Fanlight



French Doors With Sidelights



French Doors

Tolerances: All tolerances are to George Barnsdale Standard Tolerance definitions (see supporting document for more detail) unless stated on the drawing.  
 © George Barnsdale & Sons Ltd. All rights reserved. No part of this drawing may be reproduced without the permission of George Barnsdale & Son Ltd.

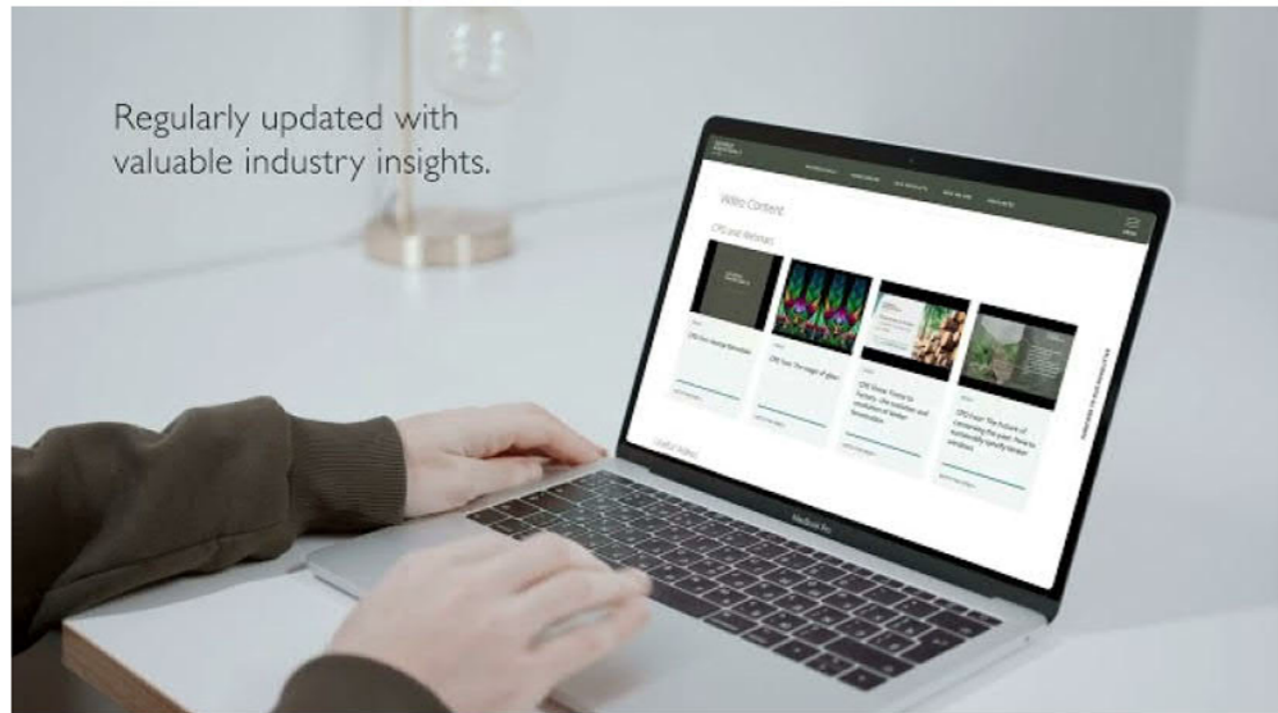
System: T-DS2-94		
Title: Traditional - Inward Opening Doorset (59mm)		
Scale:	Rev No:	Date:
As Shown	A	14-Sep-16
Drawn By:	Sheet No:	Status:
LS	7	WIP

**GEORGE BARNSDALE**  
 Est. 1884  
 High Street, Donington, Spalding, Lincs, PE11 4TA  
 01775 82300  
 www.georgebarnsdale.co.uk

# GEORGE BARNSDALE

Est. 1884

## Sign up to our resource centre



Why not sign up for free access to our resource centre which has countless valuable resources including:

- CPDS on demand
- Useful videos
- Technical specs
- Certificates
- Manuals and guides
- Brochures
- CAD resources (DWG & DXF files)

Learn more

